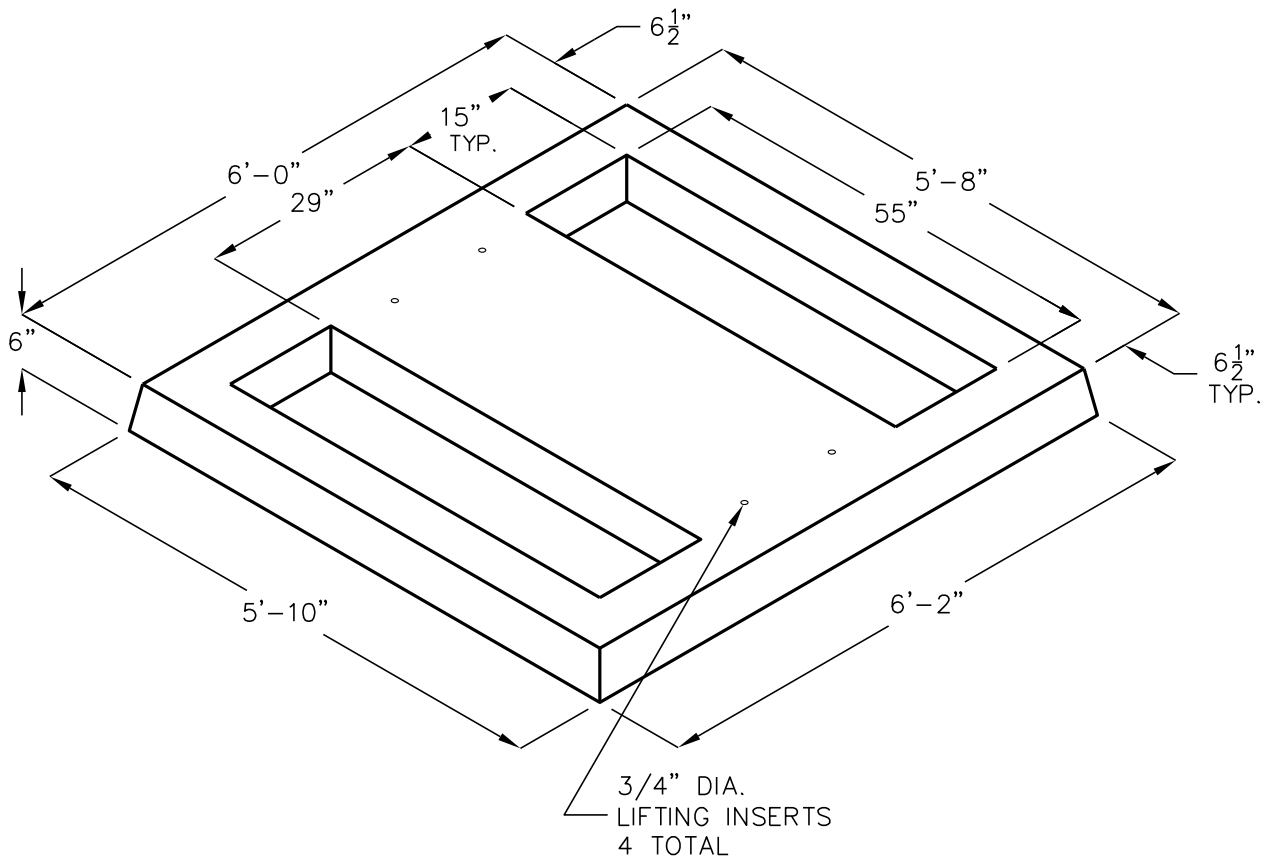


PAD MOUNTED SWITCH PAD MODEL 13-U

MEETS LIBERTY UTILITIES SPECS.
DRAWING NO. PE0013 U
STOCK NO. 24-0728



FOR COMPLETE DESIGN AND PRODUCT INFORMATION CONTACT JENSEN PRECAST.