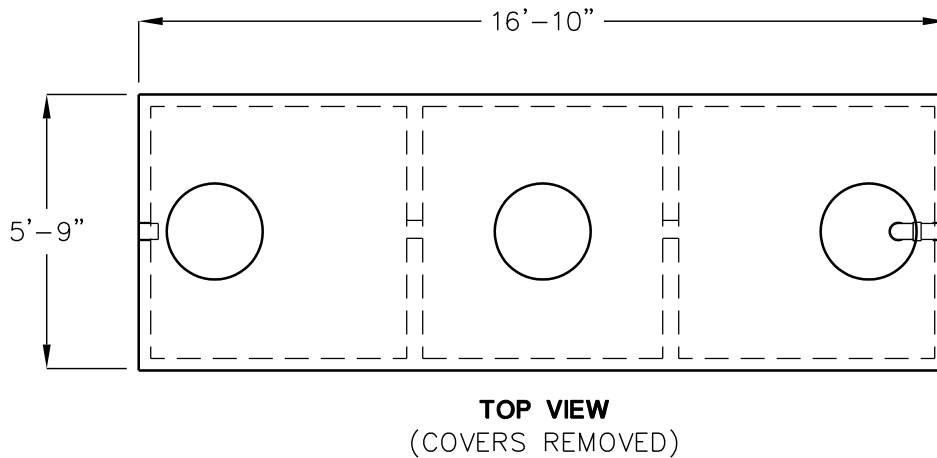
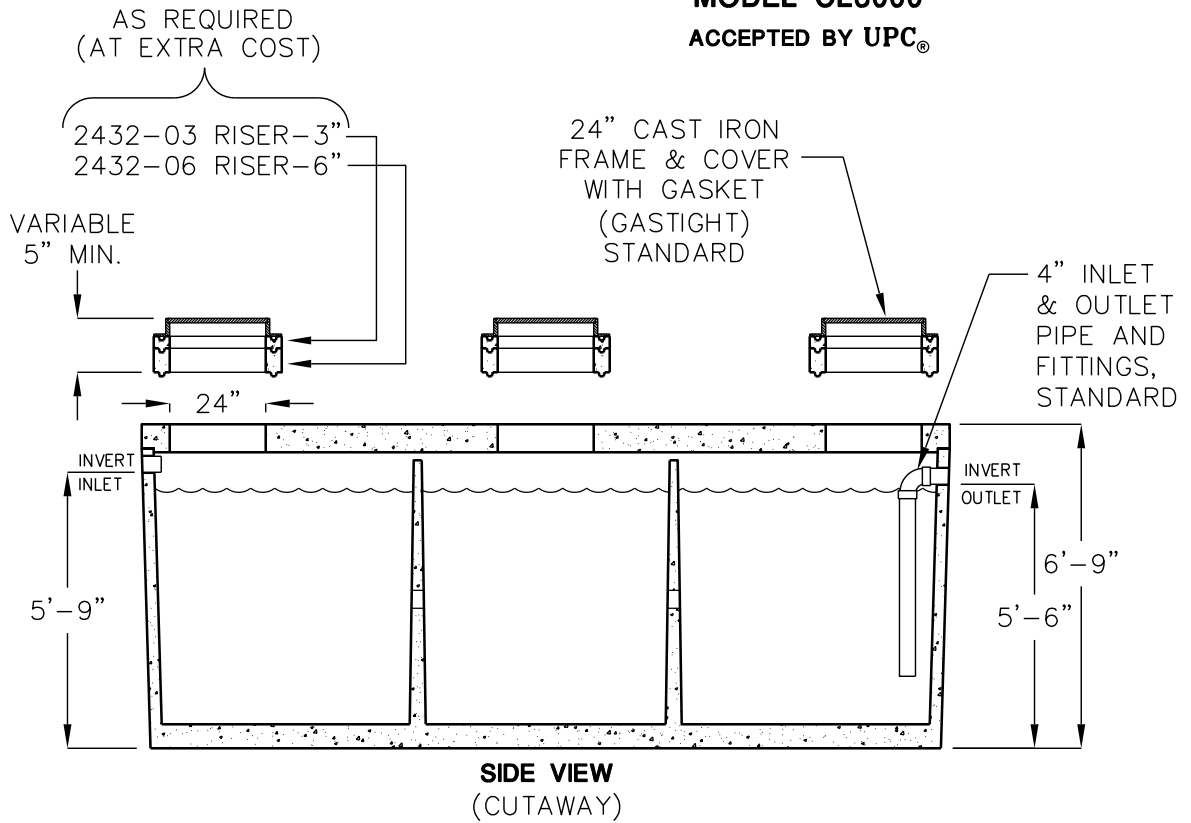


# 3000 GALLON CLARIFIER

**MODEL CL3000**  
**ACCEPTED BY UPC®**



LIQUID CAPACITY: 3,000 GALLONS.

BOX DESIGN LOAD: H-20 TRAFFIC FROM  
1' TO 5' OF SOIL COVER.

FOR COMPLETE DESIGN AND PRODUCT  
INFORMATION CONTACT JENSEN PRECAST.