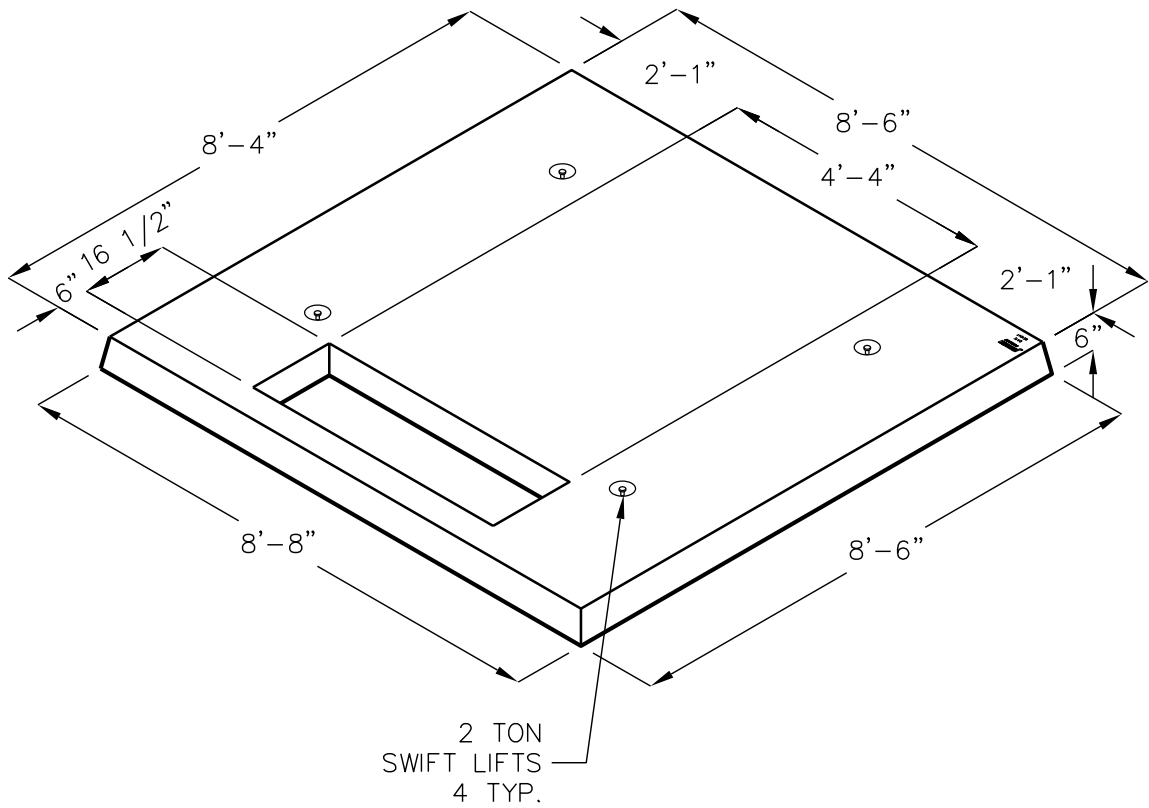


# 100102 TRANSFORMER PAD

ARIZONA PUBLIC SERVICE  
1000-2500 KVA

APPROX. WEIGHT:



FOR COMPLETE DESIGN  
AND PRODUCT INFORMATION  
CONTACT JENSEN PRECAST.