

7'-0" x 18'-0" EDISON VAULT x 8'-0" DEEP

NOTES:

- VAULT DESIGNED IN ACCORDANCE WITH AASHTO HS-20-44 TRAFFIC BRIDGE LOADING USING 5,500 PSI COMPRESSIVE STRENGTH CONCRETE AND 60,000 PSI YIELD STRENGTH ASTM A-706 STEEL REINFORCEMENT PER CALCS. #31003.
- VAULT TO BE PLACED ON A MIN. 6" BASE OF CRUSHER RUN FOR EASE OF INSTALLATION AND EVEN LOAD DISTRIBUTION.
- LIMIT OF COVER OVER ROOF SECTION IS 1'-6" TO 4'-0".
- CONCRETE MIX USED IN POURING THIS PRODUCT SHALL USE FLY ASH AS AN ADMIXTURE.
- ALL WALLS AND CEILINGS SHALL BE PAINTED WHITE.

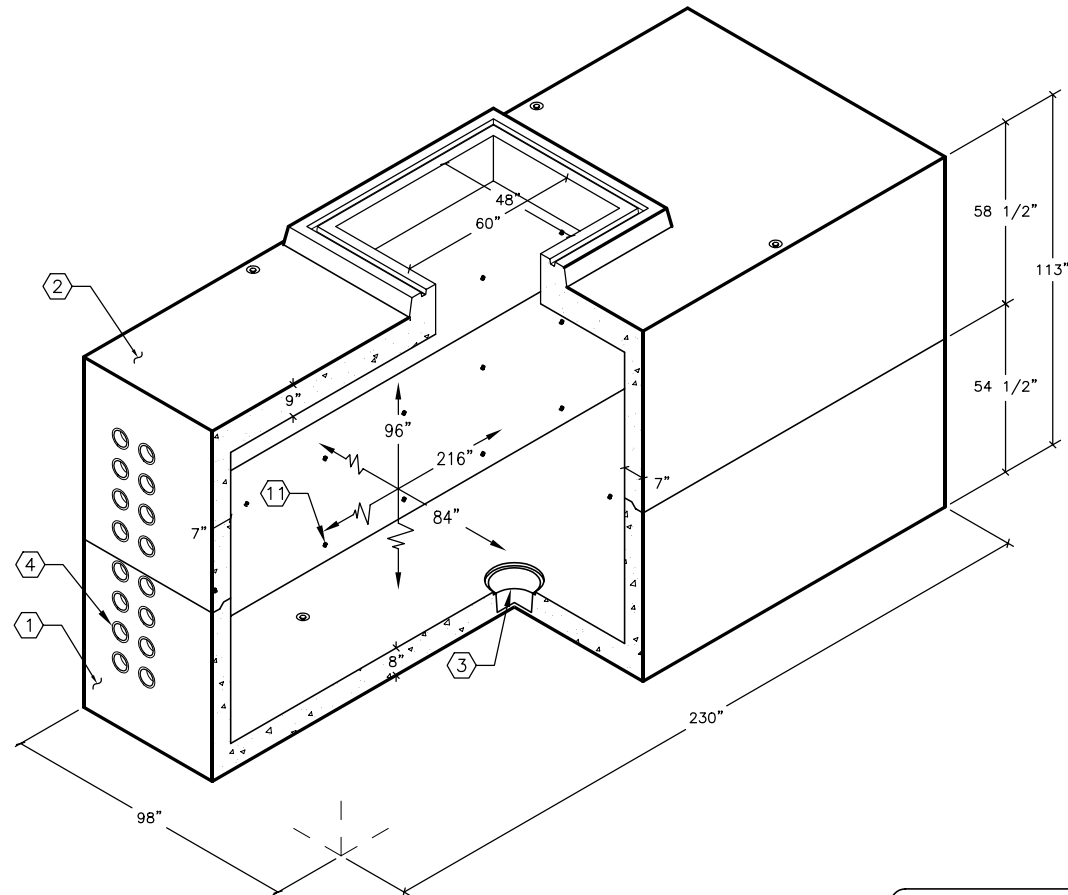
1. UV718-B48-11, 48" BOTTOM SECTION, WT. 34,000#.
2. UV718-T48-11, 48" TOP SECTION, WT. 36,000#.
3. 13" x 14" DIA. SUMP x 5" DEEP W/RECESS TO ACCOMODATE SUMP COVER. BOTTOM SECTION (1) TO ACCOMODATE SUMP COVER. BOTTOM SECTION (1) 5" DIA. CONTERMS. BOTTOM SECTION (16) SHELL MTD.; ROOF SECTION (16) SHELL MTD.
4. 18" x 18" UNREINFORCED PANEL, ROOF SECTION (4) CORE MTD.
5. 10" DIA. x 4" DEEP ABS PLASTIC VENT TERMINATORS. ROOF SECTION (2) CORE MTD.
6. 7/8" DIA. x 6" GALV. PULL IRON. BOTTOM SECTION (2) CORE MTD.; ROOF SECTION (2) CORE MTD.
7. 1" DIA. COIL GALV. THR'D. INSERT. ROOF SECTION (10) CORE MTD.
8. 1/2" THR'D. BRONZE INSERT BRAZED TO STRUCTURAL STEEL. "GRD" SHALL BE STENCILED IN RED LETTERS (1 1/2" MIN. TO 2" MAX) ON THE CONCRETE ABOVE EA. INSERT. BOTTOM SECTION (2) CORE MTD.; ROOF SECTION (4) CORE MTD.
9. 1/2" P-36T INSERT. TOP SECTION (4) CORE MTD.
10. 1/2" PLASTIC INSERT. BOTTOM SECTION (22) CORE MTD.; ROOF SECTION (19) CORE MTD.

THE FOLLOWING MATERIAL IS TO BE SHIPPED WITH THE VAULT:

- a) 7/8" x 1 3/4" GASKET (54 F.T. REQ'D.).
- b) 1/2" x 2 1/2" S.S.H.H. BOLTS (36 REQ'D.).
- c) 18 HOLE CABLE RACKS (18 REQ'D.).

ORDERING INFORMATION:

K718-FV96-11 FOR ASSEMBLY AS SHOWN.
TOTAL WEIGHT OF ASSEMBLY SHOWN AS 63,500#.



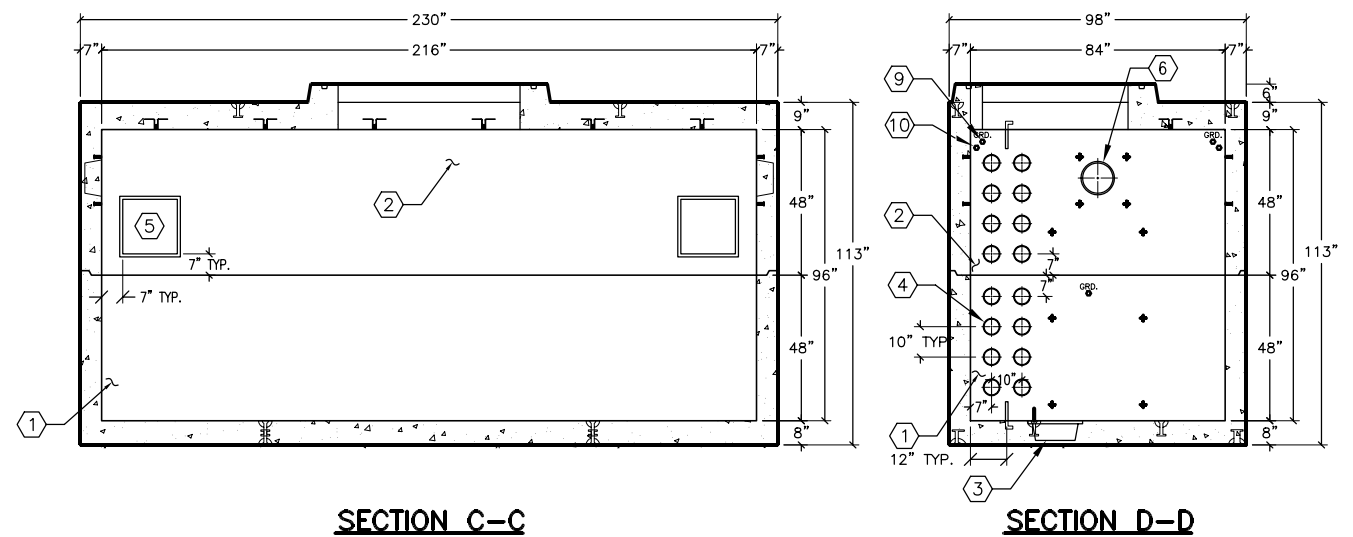
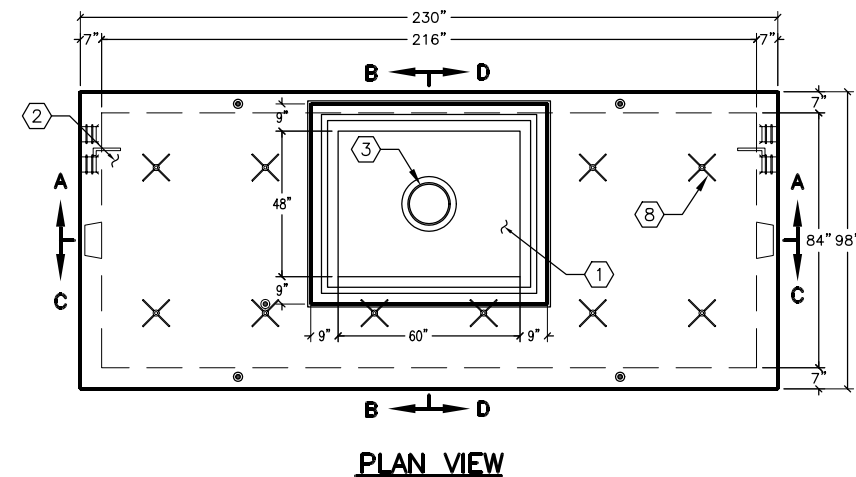
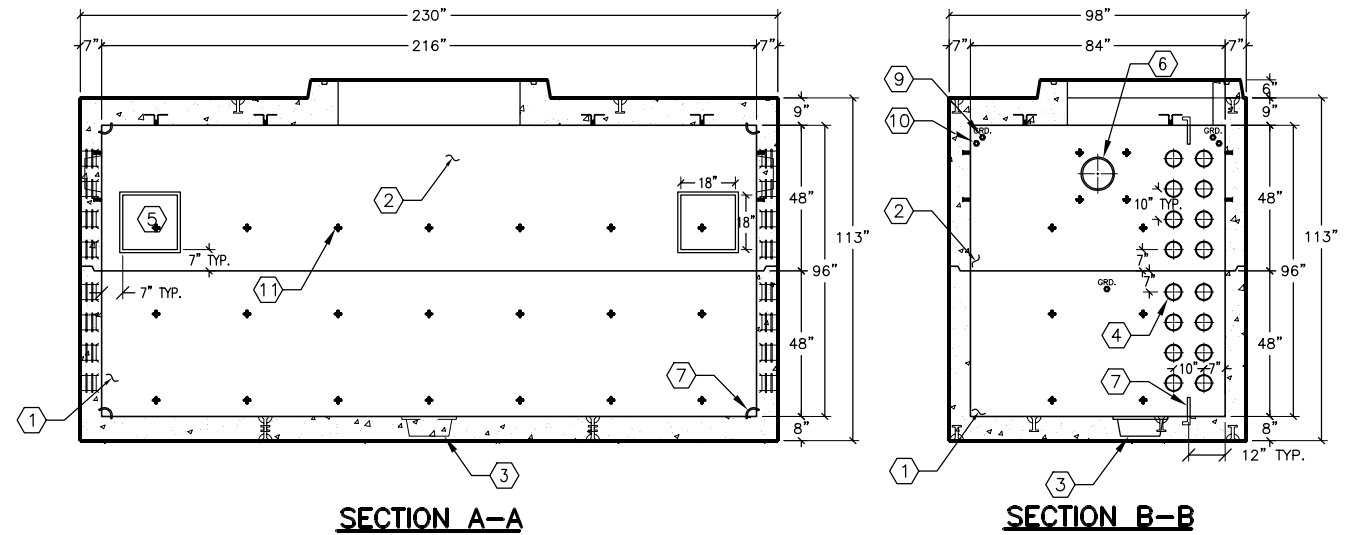
MINIMUM EXCAVATION SIZE:
9'-2" x 20'-2" x DEPTH REQ'D.



AUTOCAD REL. 14

K718-FV96-11

PER EDISON SPECS. UGS 410.3 03-01-02



#	DATE	DESCRIPTION	BY

K718-FV96-11

PER EDISON SPECS. UGS 410.3 03-01-02