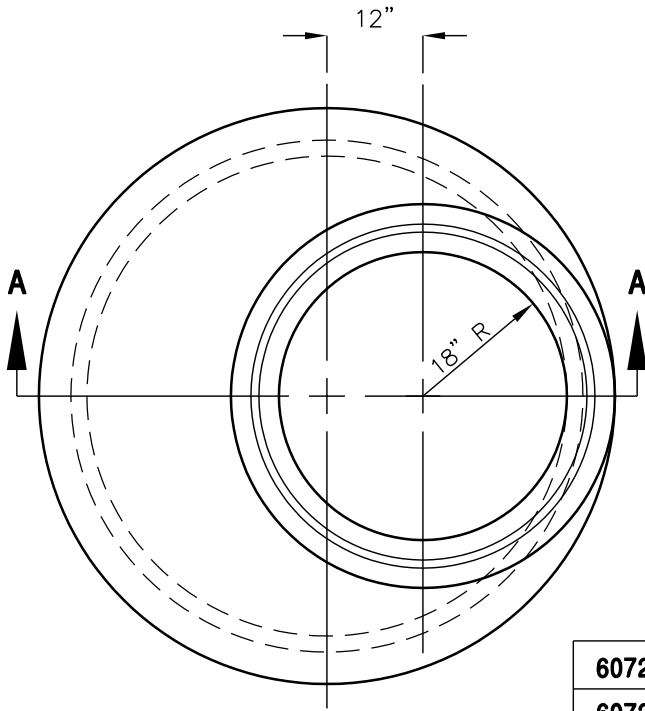
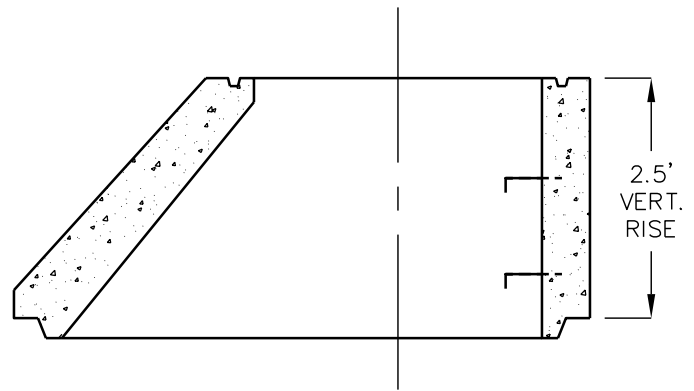


60" I.D. x 6" WALL 30" ECCENTRIC CONE



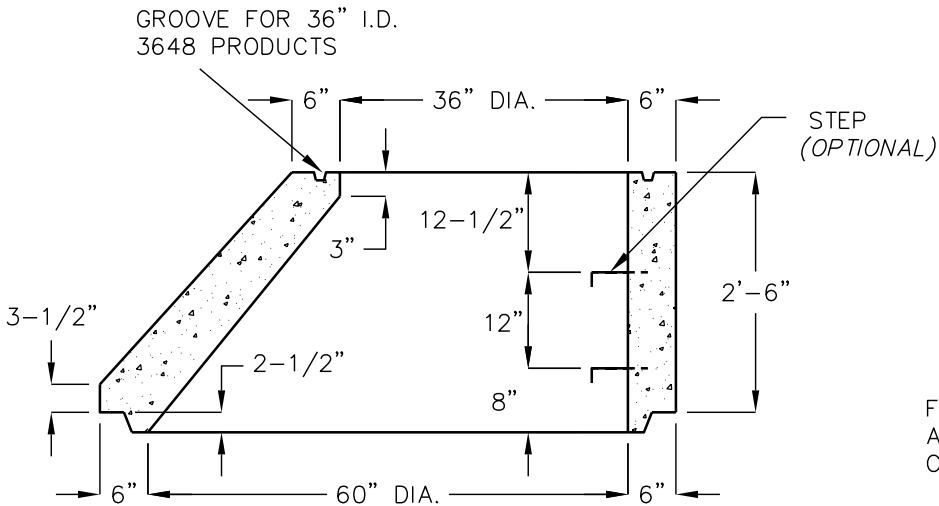
**PLAN VIEW
4860 CONE**



SECTION A-A

	APPROX. WT.
6072EC36-30 ECC CONE	3800 LBS.
6072EC36-30S ECC CONE W/STEP HOLES	3800 LBS.

CONFORMS TO ASTM SPECS C-478
and AASHTO No. M199.



SIDE VIEW

FOR COMPLETE DESIGN,
AND PRODUCT INFORMATION,
CONTACT JENSEN PRECAST.