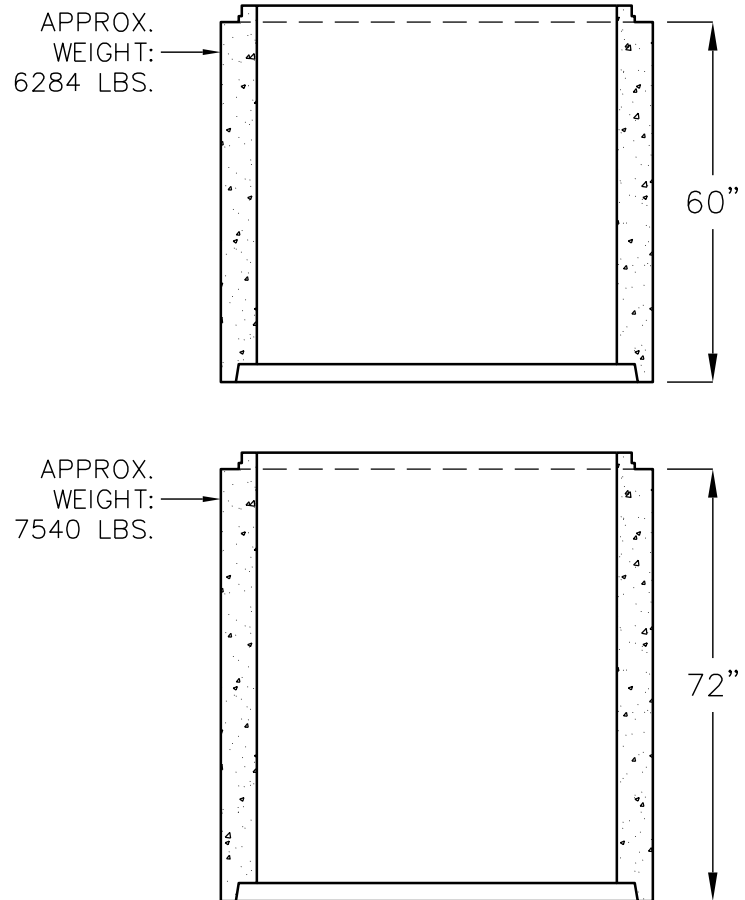
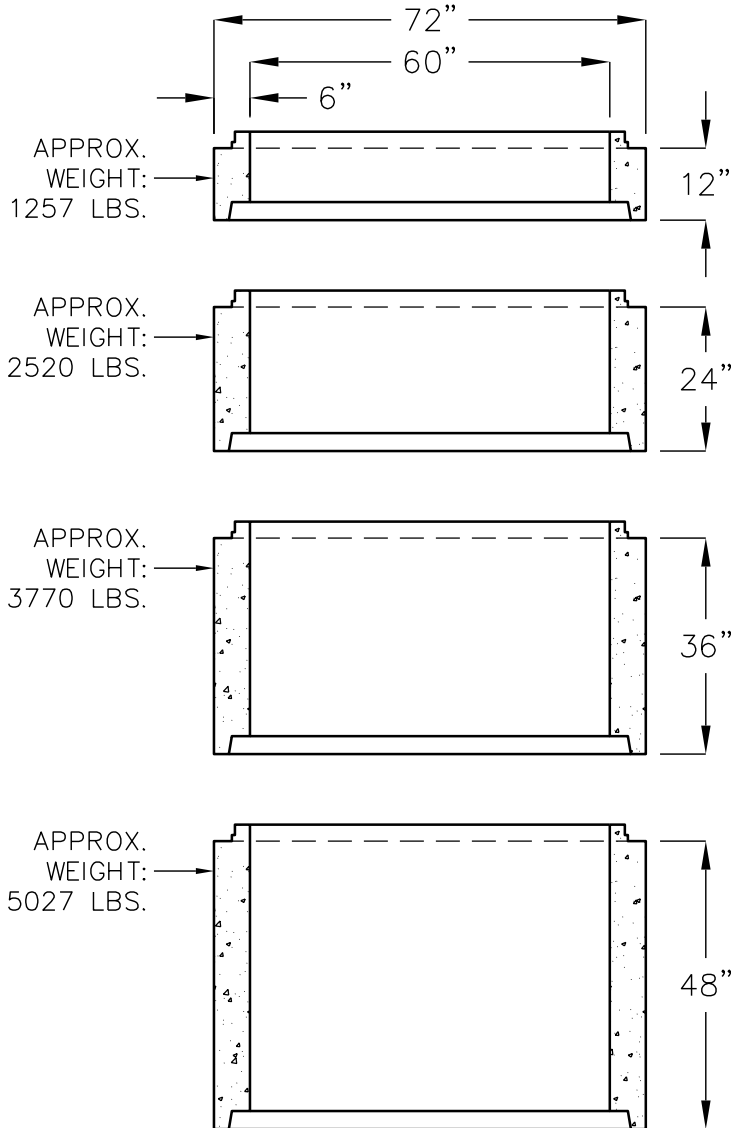


60" I.D. - 6" WALL PRECAST CONCRETE MANHOLE RISERS (SPIGOT-UP CONFIGURATION)



FOR COMPLETE DESIGN
AND PRODUCT INFORMATION
CONTACT JENSEN PRECAST.

MANHOLE COMPONENTS
CONFORM TO CURRENT
SPECIFICATIONS, ASTM
C-478 AND AASHTO M199.

FLAT TOPS AND BASE
SLABS ARE DESIGNED FOR
AASHTO HS-20 WHEEL
LOADING.