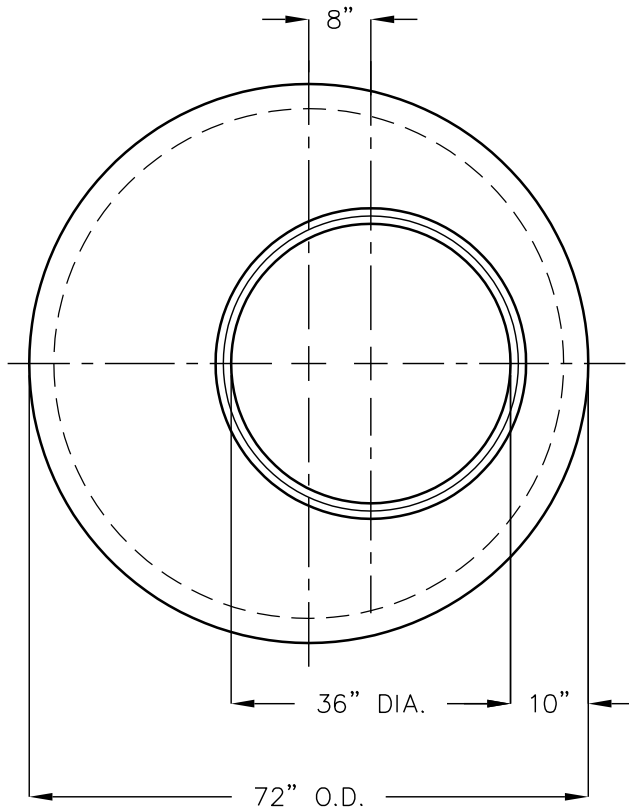
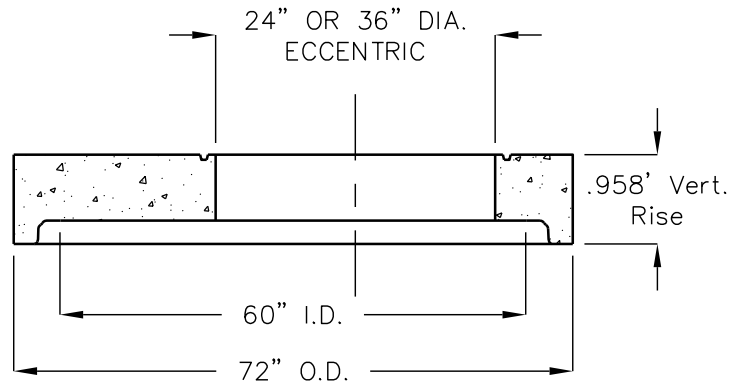


# 60" I.D. x 6" WALL FLAT TOP WITH ECCENTRIC ACCESS OPENING

(36" ACCESS OPENING SHOWN)



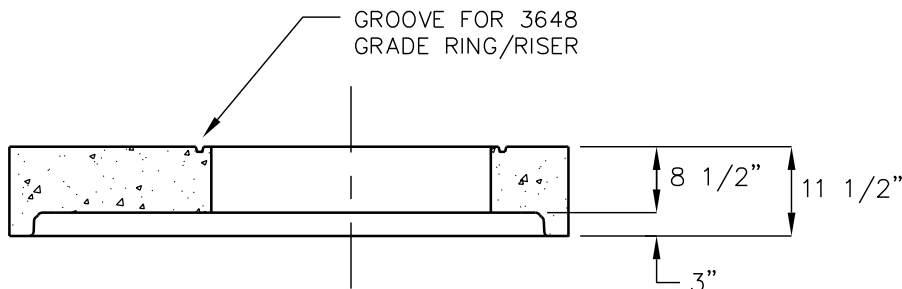
**TOP VIEW**



**SIDE SECTION VIEW**

	APPROX. WT.
6072FT-24E ECC FLAT TOP	3088 LBS.
6072FT-36E ECC FLAT TOP	2614 LBS.

CONFORMS TO ASTM SPECS C-478  
and AASHTO No. M199.



**SIDE SECTION VIEW**

FLAT TOPS AND BASE SLABS  
ARE DESIGNED FOR AASHTO  
HS-20 WHEEL LOADING

FOR COMPLETE DESIGN,  
AND PRODUCT INFORMATION  
CONTACT JENSEN PRECAST.