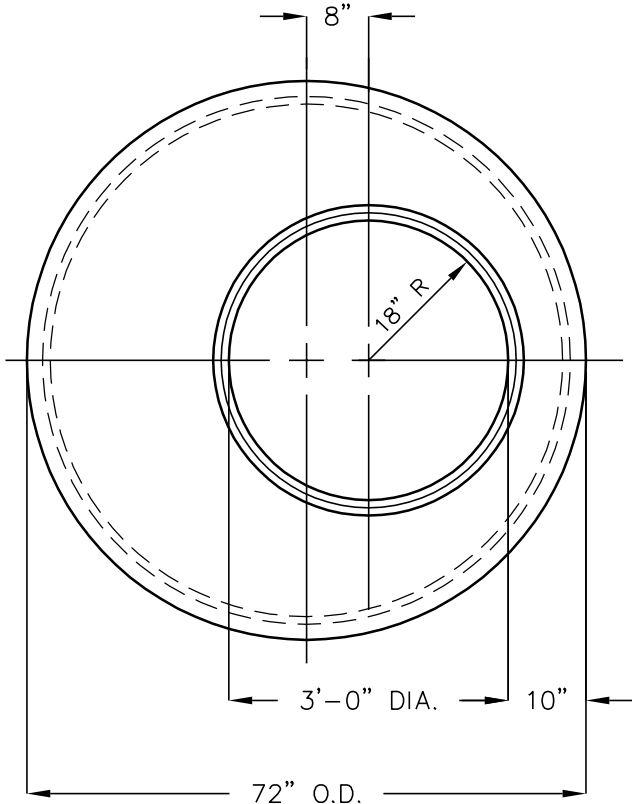
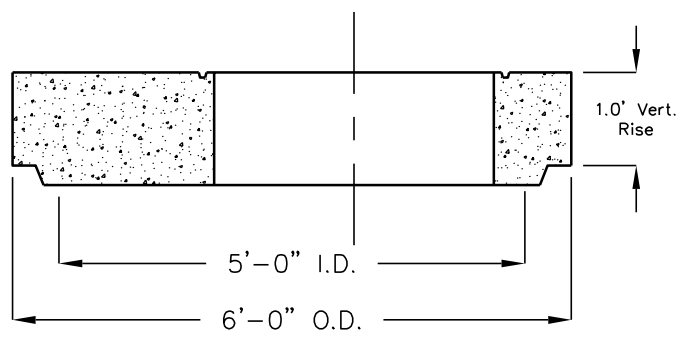


60" I.D. x 6" WALL FLAT TOP WITH 36" ECCENTRIC, ACCESS OPENING



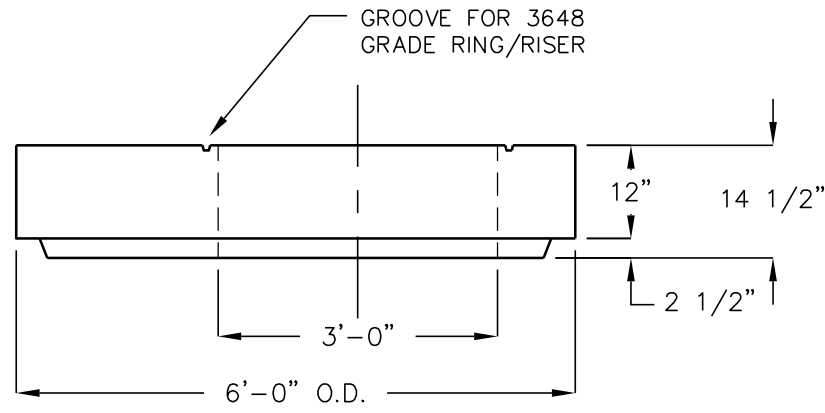
TOP VIEW



SECTION

	APPROX. WT.
6072FT-36E ECC FLAT TOP	3800 LBS.

CONFORMS TO ASTM SPECS C-478
and AASHTO No. M199.



SIDE VIEW

FLAT TOPS AND BASE SLABS
ARE DESIGNED FOR AASHTO
HS-20 WHEEL LOADING.

FOR COMPLETE DESIGN,
AND PRODUCT INFORMATION
CONTACT JENSEN PRECAST.