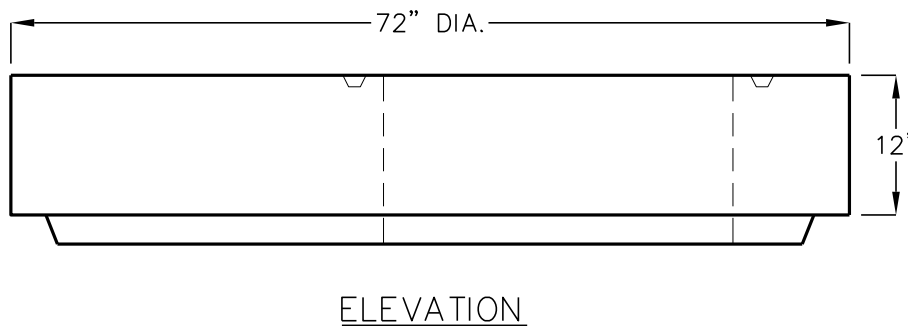
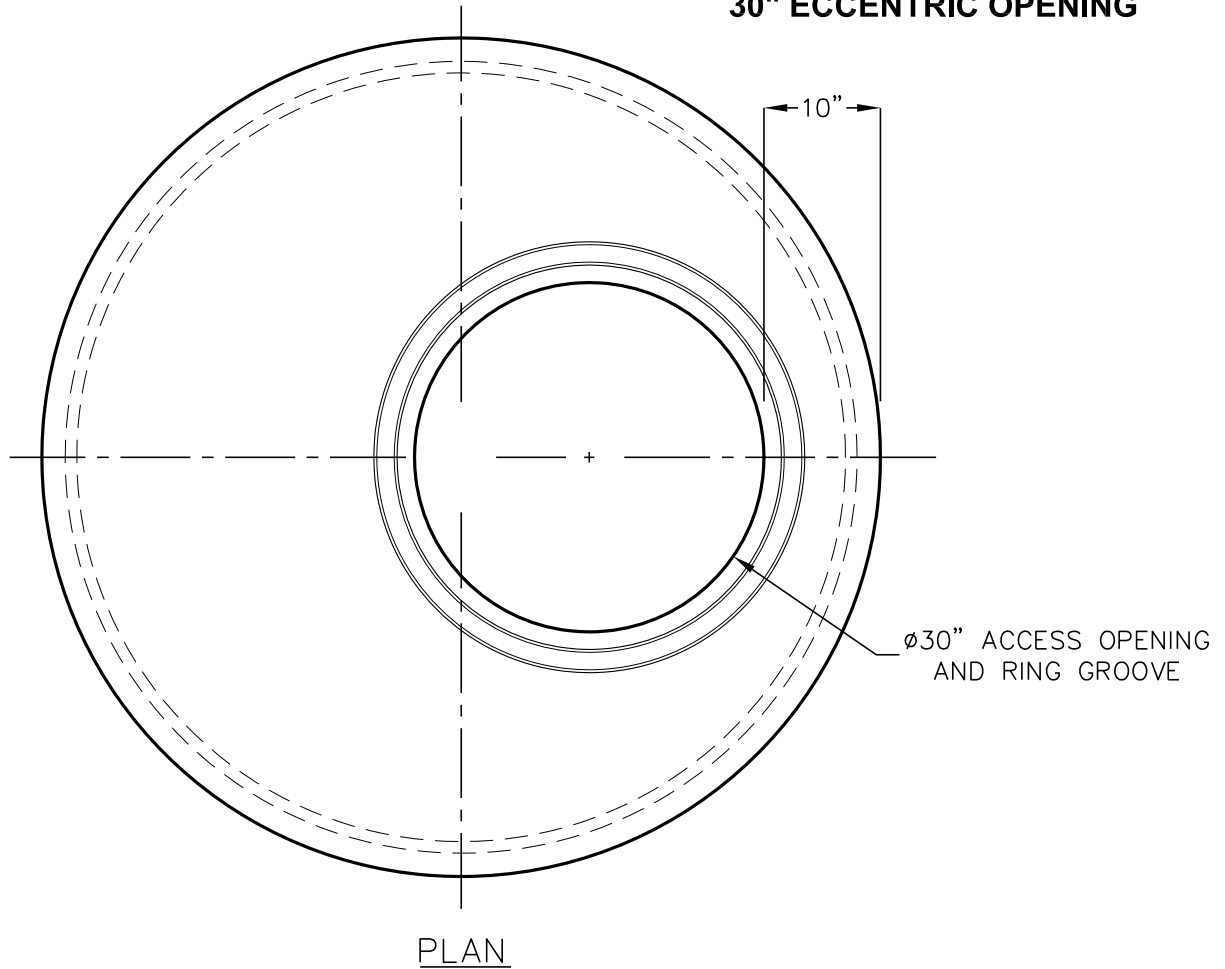


60" FLAT TOP
(FOR 60" DIA. MANHOLE MATERIAL)
30" ECCENTRIC OPENING



MANHOLE COMPONENTS CONFORM TO CURRENT SPECIFICATIONS, ASTM C-478 AND AASHTO M199.
FLAT TOPS ARE DESIGNED FOR AASHTO HS-20 WHEEL LOADING.
FOR COMPLETE DESIGN AND PRODUCT INFORMATION CONTACT JENSEN PRECAST.