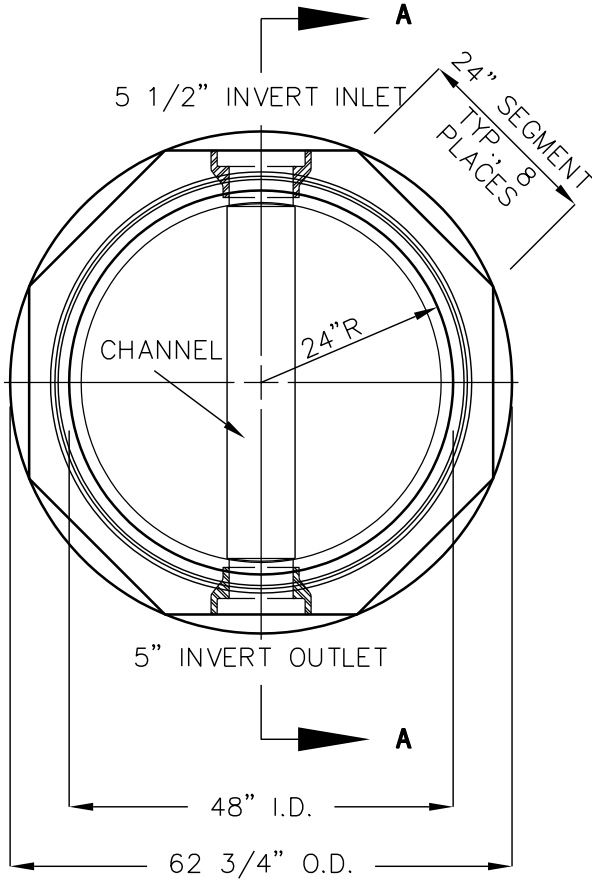
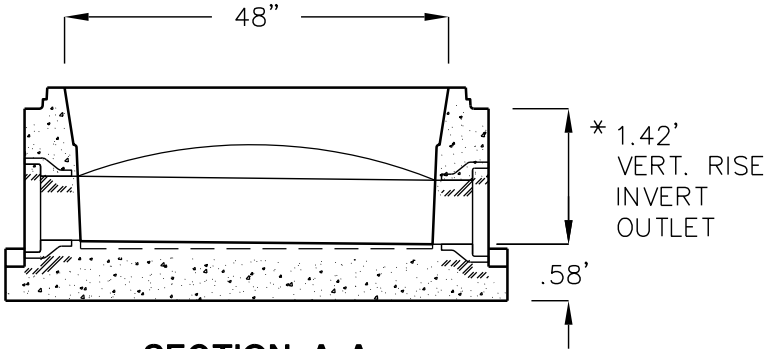


48" I.D., 2 WAY, 180°, 8" CHANNEL OCTAGONAL BASE WITH CLAY BELLS



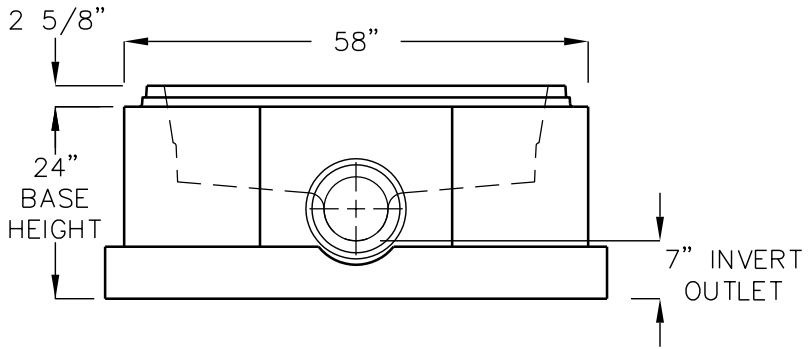
TOP VIEW



SECTION A-A

CONFORMS TO CURRENT SPECIFICATION ASTM C-478 AND AASHTO NO. M199.

FLAT TOPS AND BASE SLABS ARE DESIGNED FOR AASHTO HS-20 WHEEL LOADING.



SIDE VIEW