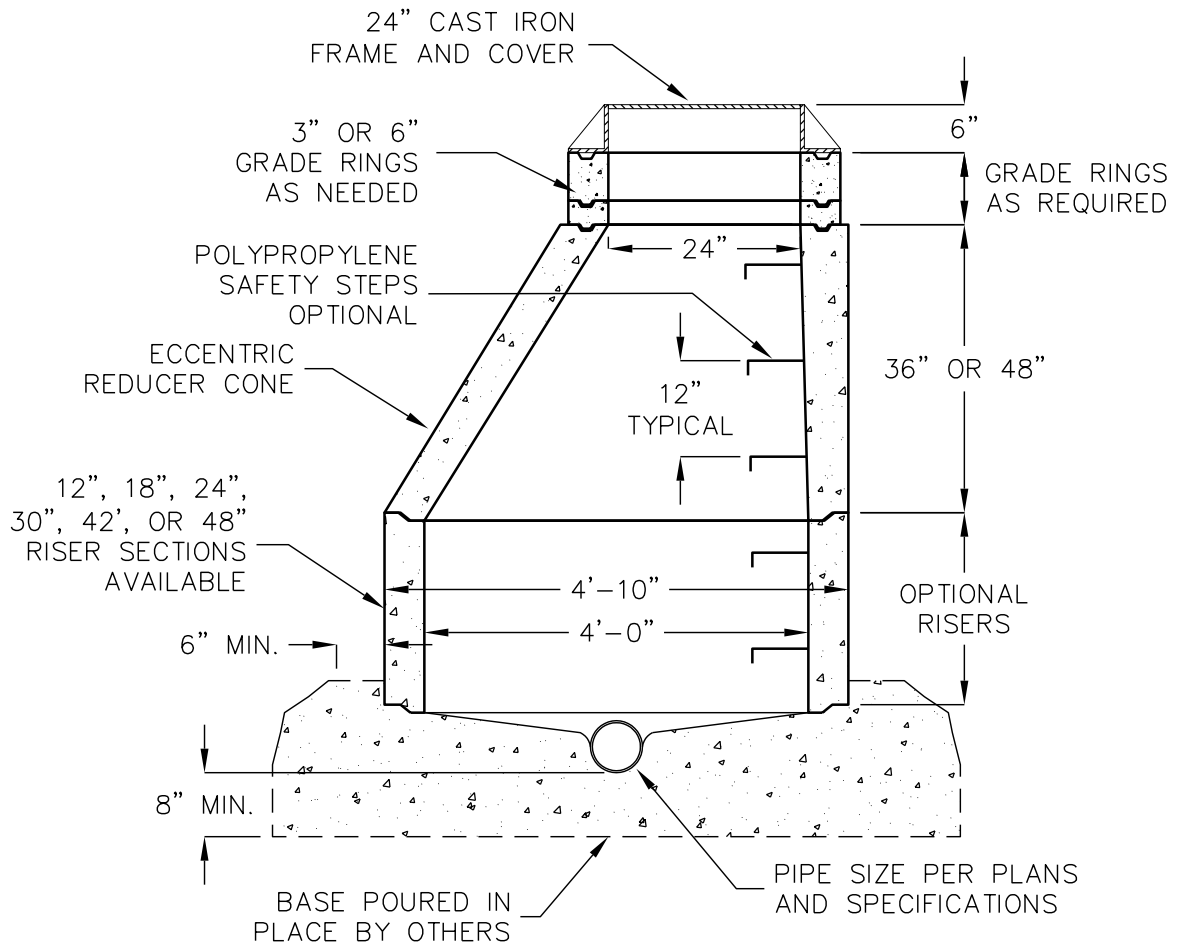


48" I.D. TO 24" I.D. MANHOLE COMPONENT STACK



FOR COMPLETE DESIGN
AND PRODUCT INFORMATION
CONTACT JENSEN PRECAST.

MANHOLE COMPONENTS CONFORM TO
CURRENT SPECIFICATIONS, ASTM
C-478 AND AASHTO M199.