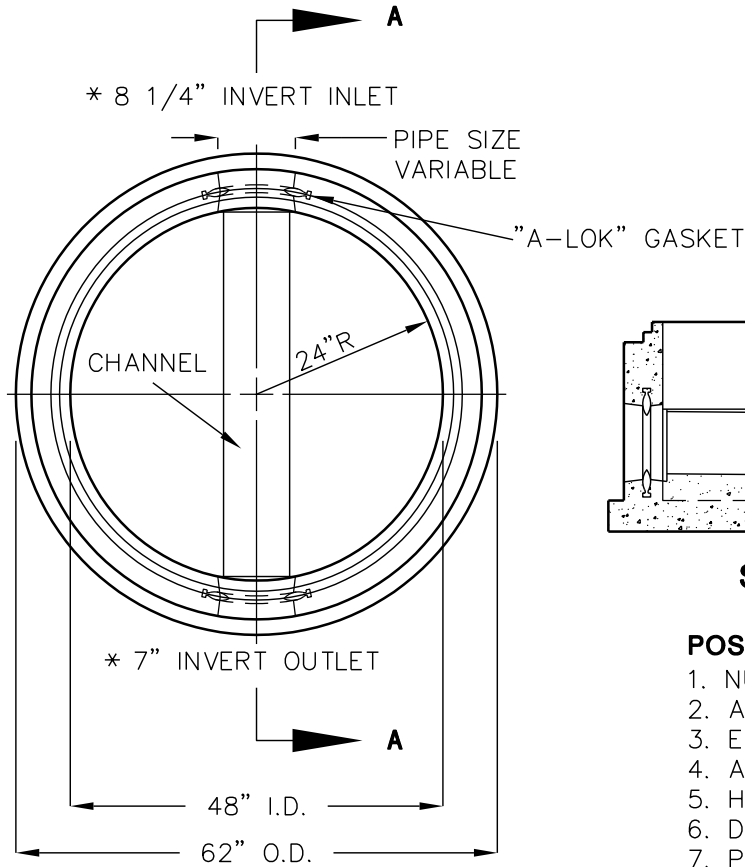
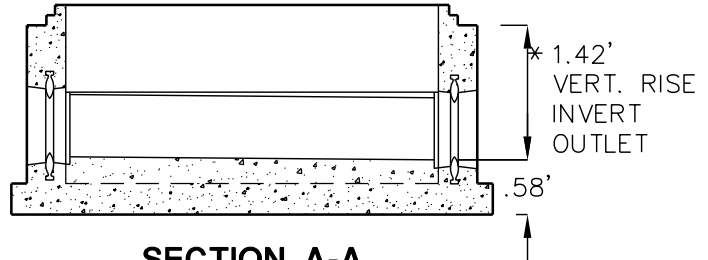


48" I.D., 2 WAY, 180° CHANNEL TYPICAL BASE

(BASE WITH 8" DIA. PIPE SHOWN)



TOP VIEW



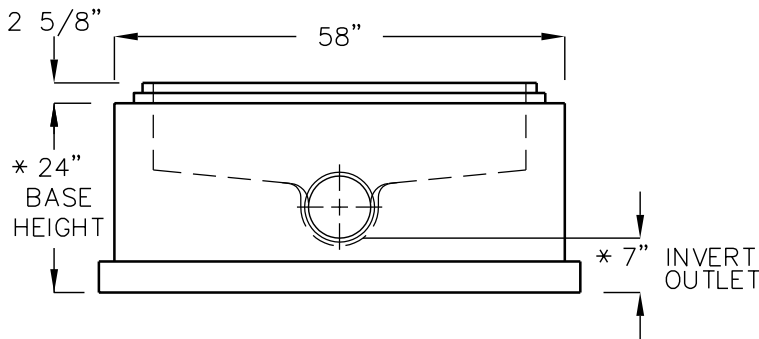
SECTION A-A

POSSIBLE VARIATIONS:

1. NUMBER OF INLETS
2. ANGLE OF INLETS
3. ELEVATION OF INLETS
4. ANGLE OF SHELF SLOPE
5. HEIGHT OF CHANNEL
6. DIAMETER OF MANHOLE
7. PIPE TO MANHOLE CONNECTOR
8. PIPE SIZE

EXAMPLE SHOWN:

48"Ø 2 WAY 180°, 8" MANHOLE BASE IS USED WITH 8" I.D. SDR 35 PVC OR OTHER PIPES WITH 8.50 O.D. ±1/4". PIPES THAT HAVE O.D.'S NOT WITHIN THESE TOLERANCES ARE AVAILABLE ON A MADE TO ORDER BASIS.



SIDE VIEW

* DIMENSION VARIES DEPENDING UPON SIZE OF PIPE USED.

CONFORMS TO CURRENT SPECIFICATION ASTM C-478 AND AASHTO NO. M199.

FLAT TOPS AND BASE SLABS ARE DESIGNED FOR AASHTO HS-20 WHEL LOADING