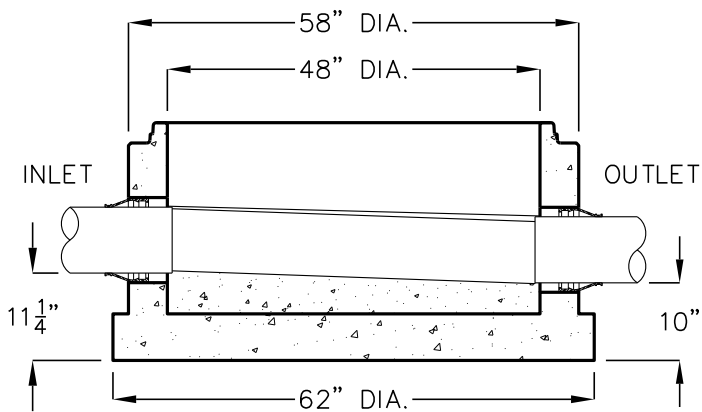
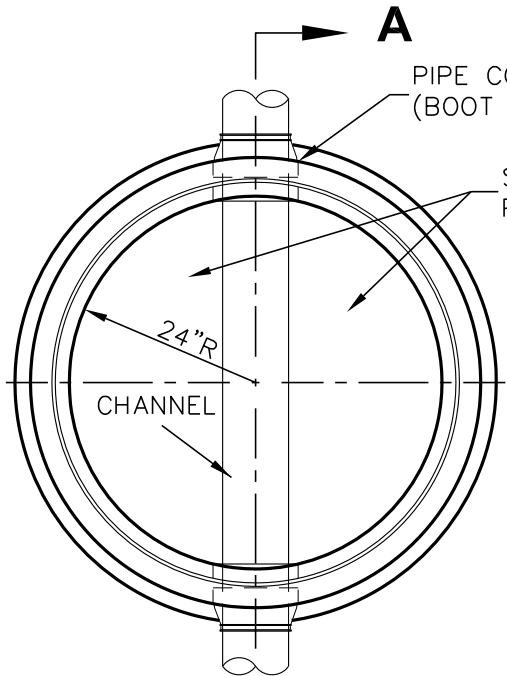


MEETS REQUIREMENTS FOR
SACRAMENTO COUNTY PUBLIC WORKS AGENCY
STANDARD 48" DIAMETER SEWER MANHOLE

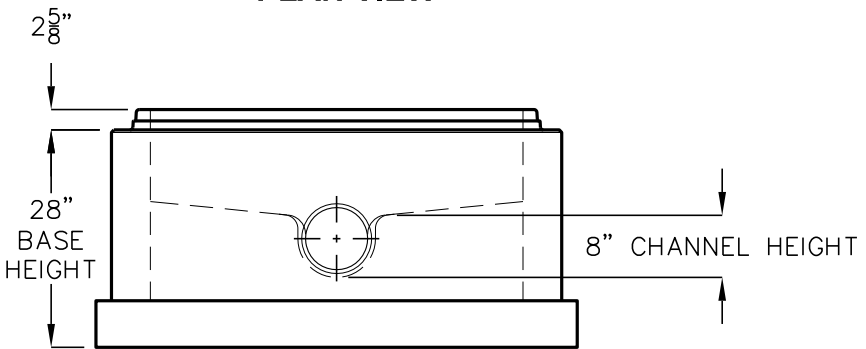
48" I.D.x5" WALL, 2 WAY, 180° CHANNEL MANHOLE BASE

SACRAMENTO COUNTY
FOR 8" PVC OR VITRIFIED CLAY PIPE



SECTION A-A

PLAN VIEW



ELEVATION

CONFORMS TO CURRENT SPECIFICATION ASTM C-478 AND AASHTO NO. M199.

DESIGN LOAD: H-20 TRAFFIC.

- *FOR PVC PIPE, A FLEXIBLE RESILIENT CONNECTOR PER ASTM C-923 IS USED.
- *FOR VITRIFIED CLAY PIPE, A FLEXIBLE RESILIENT CONNECTOR PER ASTM C-923 OR VC HUB PER ASTM C-700 IS USED.

FOR COMPLETE DESIGN AND PRODUCT INFORMATION CONTACT JENSEN PRECAST.

Jensen Precast reserves the right to make changes to product design and/or dimensions without notice. Please contact Jensen Precast whenever necessary for confirmation or advice on product design.

