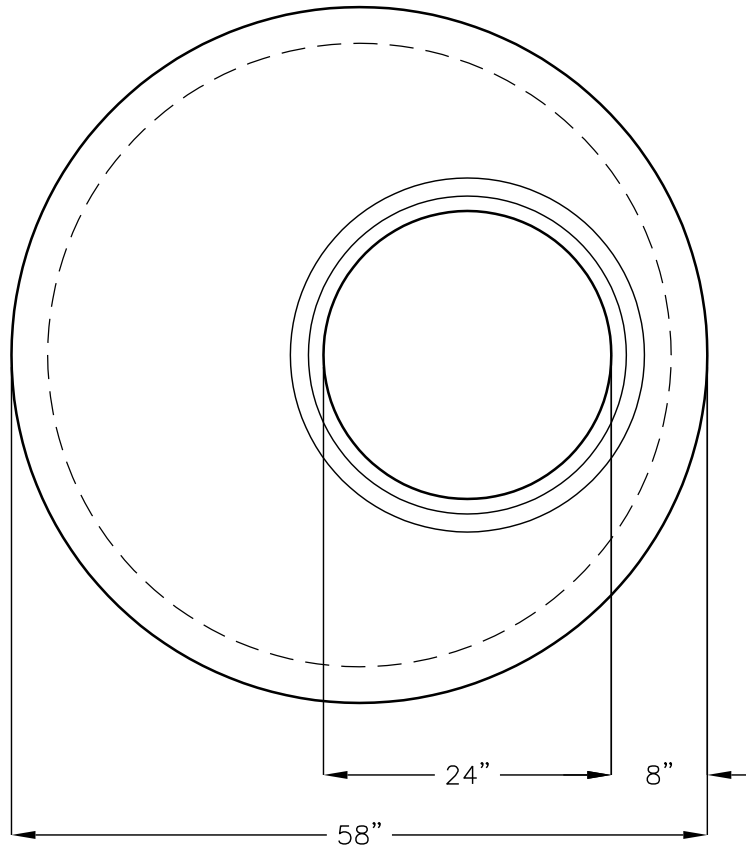
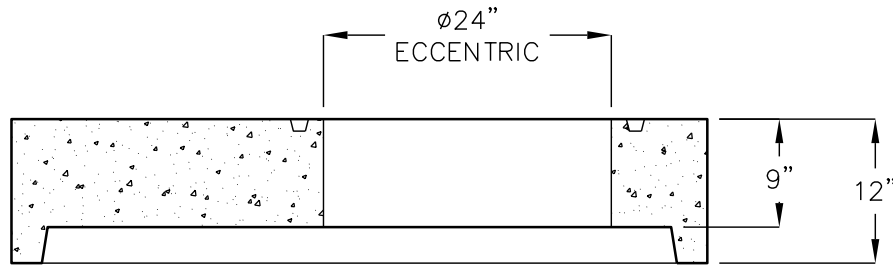


**48" I.D. 5" WALL
FLAT TOP
WITH 24" ECCENTRIC
ACCESS OPENING**
MAG 420 SPECIFICATIONS



MANHOLE COMPONENTS CONFORM TO CURRENT SPECIFICATIONS, ASTM C-478 AND AASHTO M199.

FOR COMPLETE DESIGN AND PRODUCT INFORMATION, CONTACT JENSEN PRECAST.

FLAT TOPS AND BASE SLABS ARE DESIGNED FOR AASHTO HS-20 WHEEL LOADING.