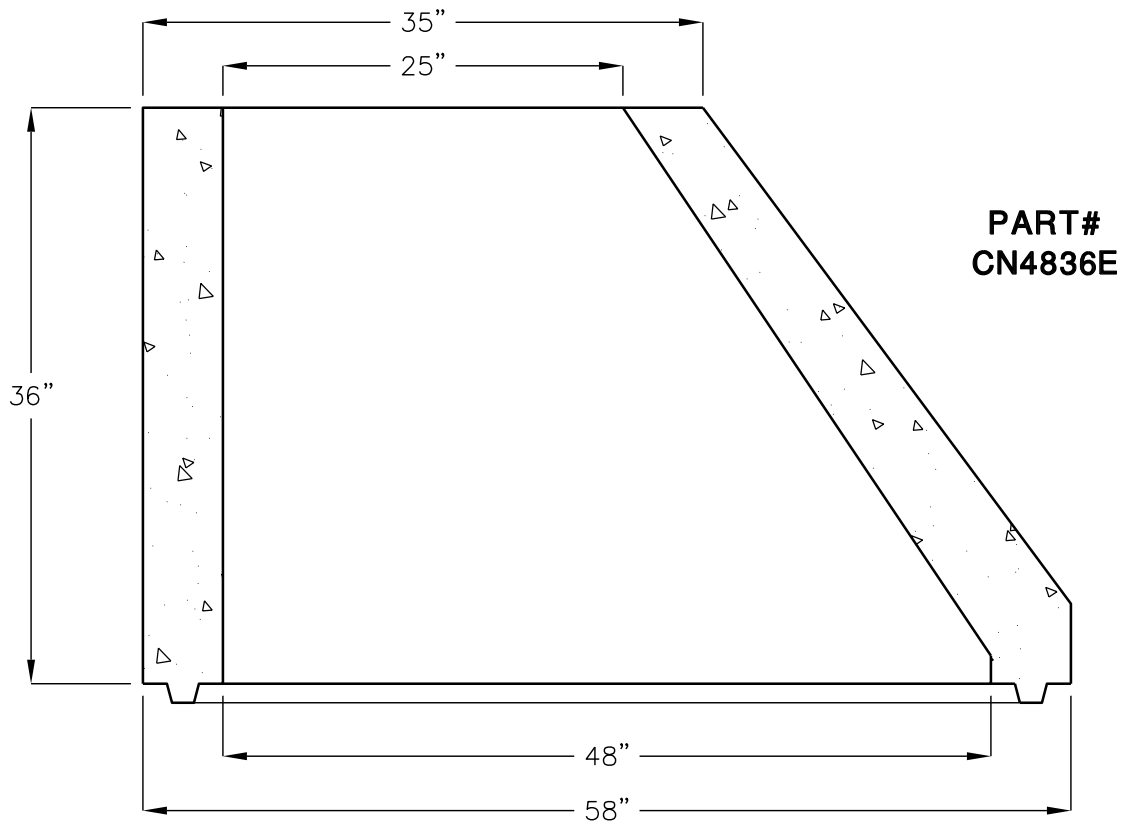
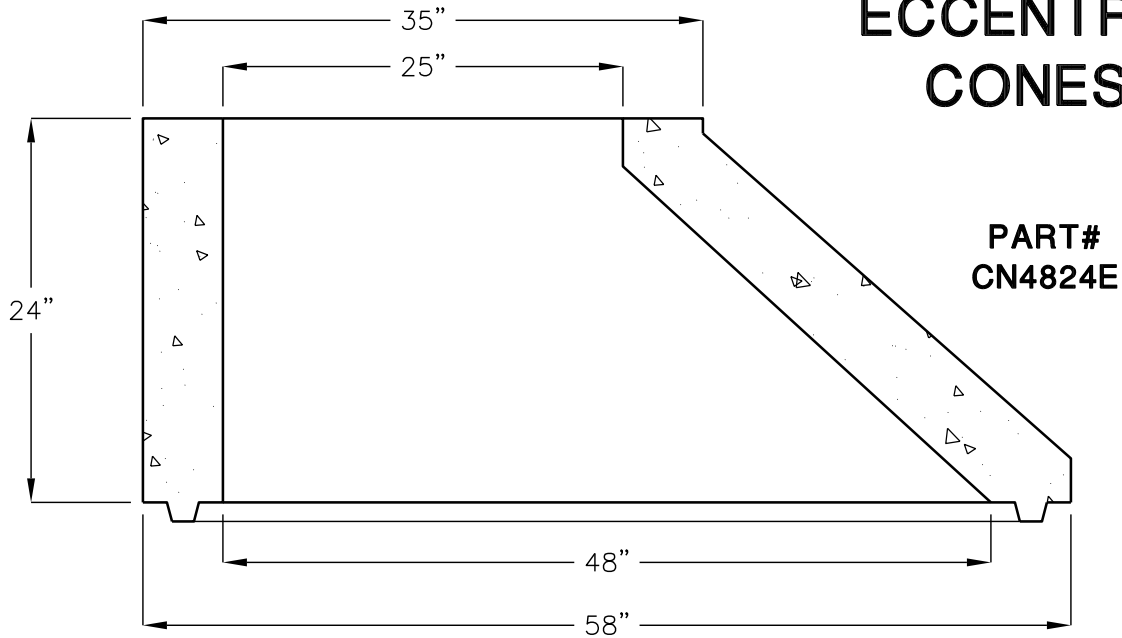


48" I.D. - 5" WALL ECCENTRIC CONES



FOR COMPLETE DESIGN
AND PRODUCT INFORMATION
CONTACT JENSEN PRECAST.

MANHOLE COMPONENTS CONFORM TO
CURRENT SPECIFICATIONS, ASTM C-478
AND AASHTO M199.