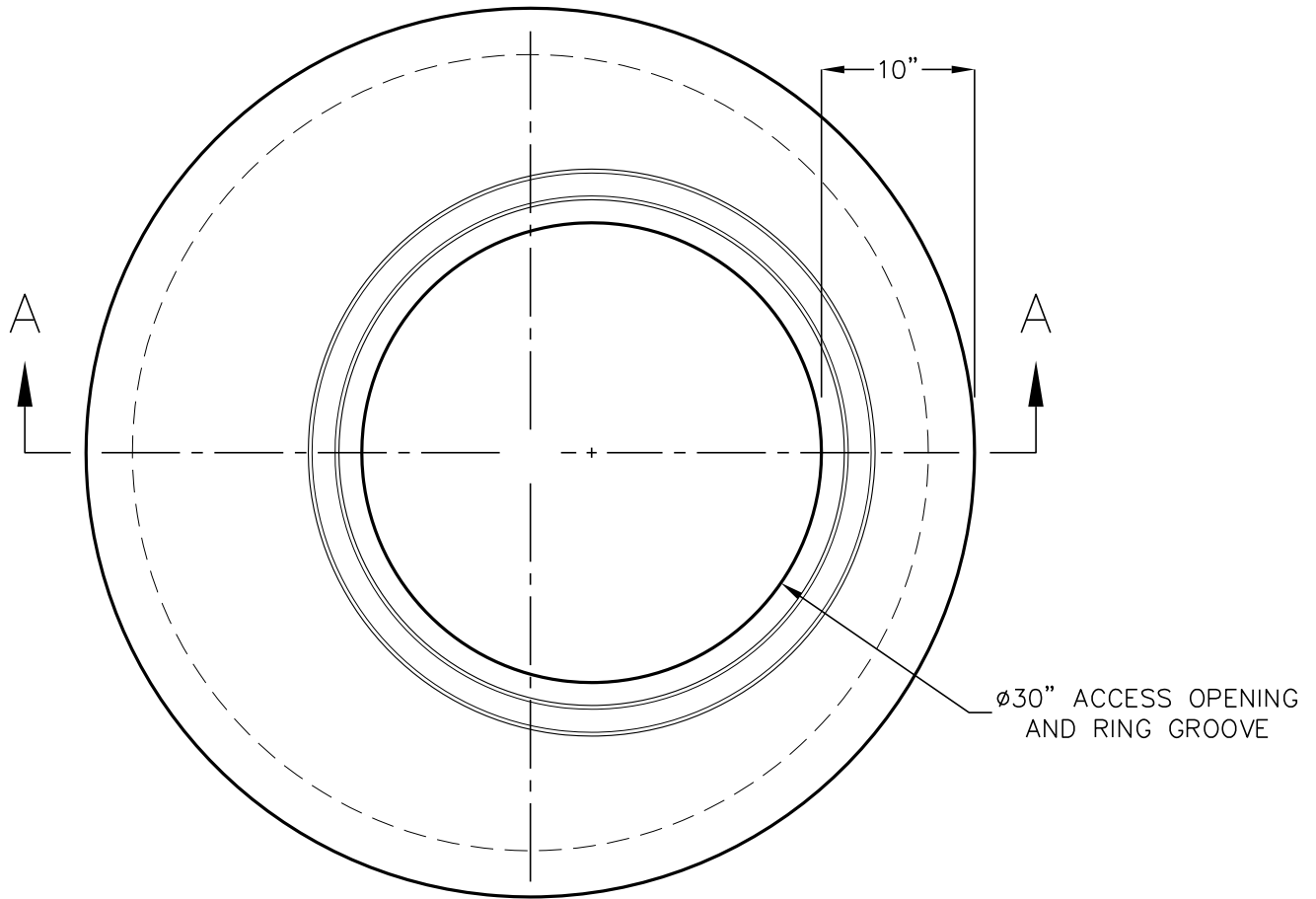


**48" FLAT TOP**  
**(FOR 48" DIA. MANHOLE MATERIAL)**  
**30" ECCENTRIC OPENING**



SECTION A-A

MANHOLE COMPONENTS CONFORM TO CURRENT SPECIFICATIONS, ASTM C-478 AND AASHTO M199.

FLAT TOPS ARE DESIGNED FOR AASHTO HS-20 WHEEL LOADING.

FOR COMPLETE DESIGN AND PRODUCT INFORMATION, CONTACT JENSEN PRECAST.