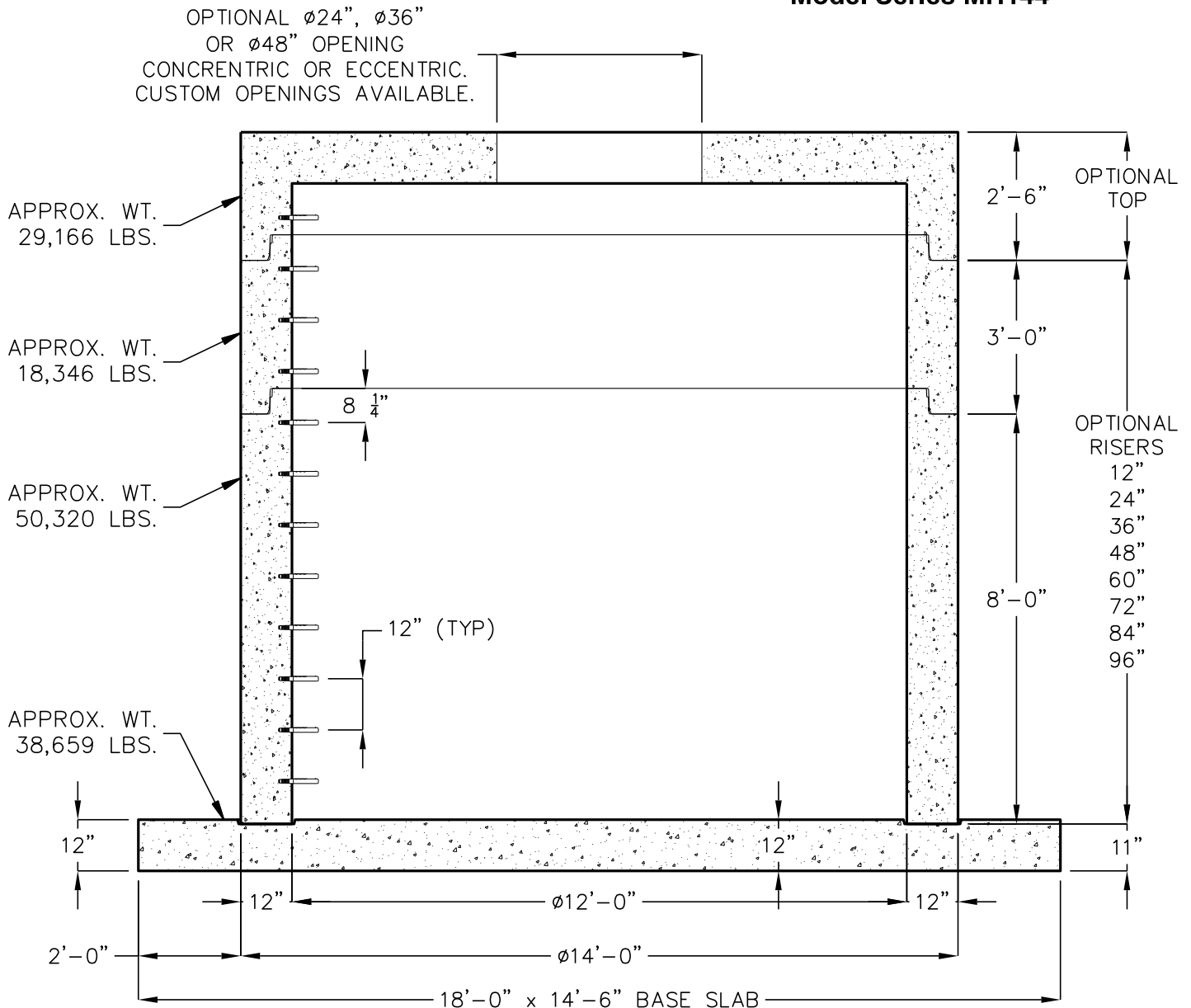


# 144" ID MANHOLE COMPONENTS

Model Series MH144



**NOTICE: THIS PRODUCT IS AN OVERSIZED LOAD WITH SPECIAL HANDLING REQUIREMENTS AND ADVANCED NOTICE FOR SHIPPING.**

DESIGN LOAD: MANHOLE COMPONENTS CONFORM TO ASTM C-478 AND AASHTO M-199. FLAT TOPS AND BASE SLABS ARE DESIGNED FOR H-20 TRAFFIC TO 30 FOOT STACK HEIGHT. TALLER DESIGNS AVAILABLE UPON REQUEST.

FLEXIBLE RESILIENT PIPE-TO-MANHOLE CONNECTORS MEETING ASTM C-923 AVAILABLE UPON REQUEST.

CUSTOM ACCESS OPENINGS OR CAST-IN HATCHES AVAILABLE.

FOR COMPLETE DESIGN AND PRODUCT INFORMATION, CONTACT JENSEN PRECAST.

B

Jensen Precast reserves the right to make changes to product design and/or dimensions without notice. Please contact Jensen Precast whenever necessary for confirmation or advice on product design.

**JENSEN**  
PRECAST EST. 1968