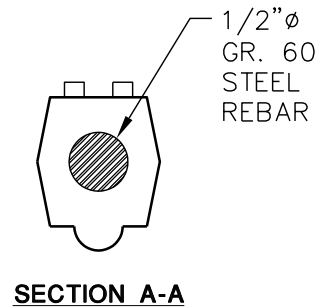
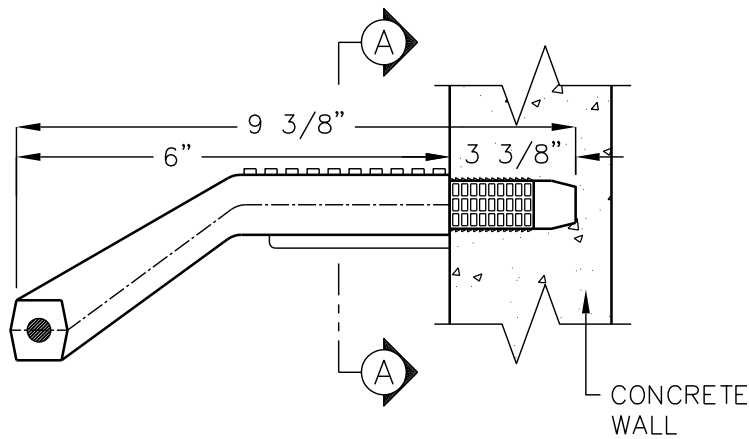
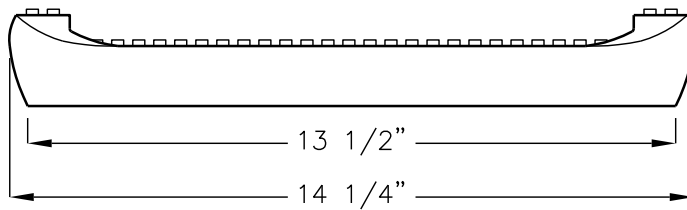
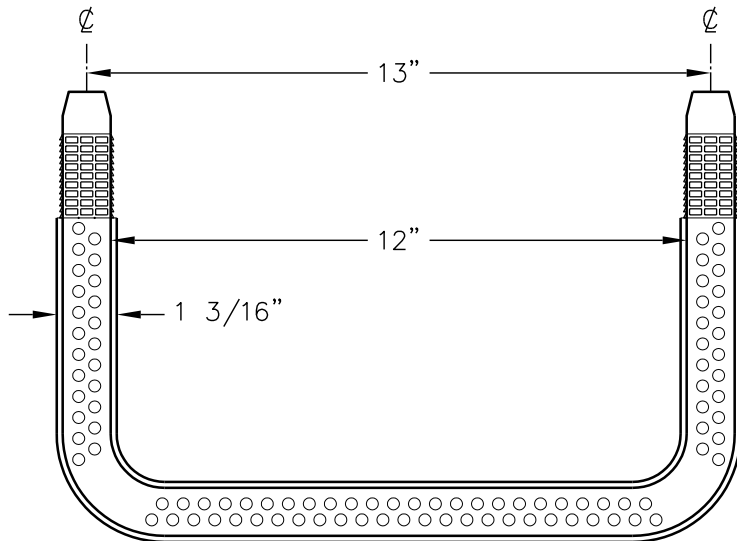


# POLYPROPYLENE SAFETY STEP



## PLASTIC:

ALL STEPS SHALL MEET THE REQUIREMENTS OUTLINED IN ASTM D-4101 UNDER TYPE II.

## STEEL REINFORCING BAR:

THE STEEL USED IN MANUFACTURING IS A DEFORMED 1/2" REINFORCING BAR, MATERIAL IS GRADE 60 AND CONFORMS TO ALL REQUIREMENTS OF ASTM A-615.