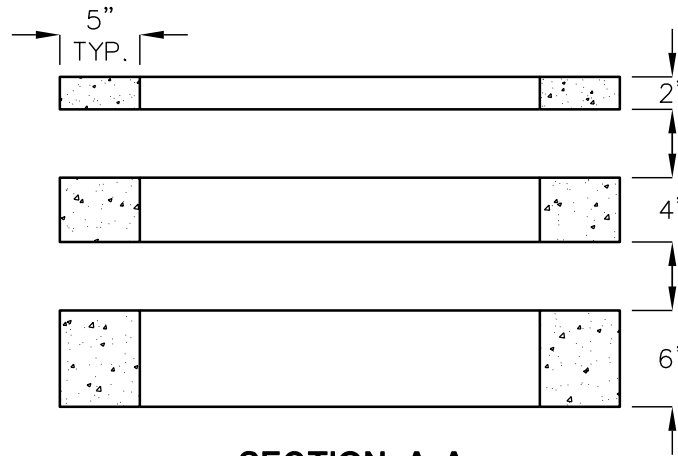
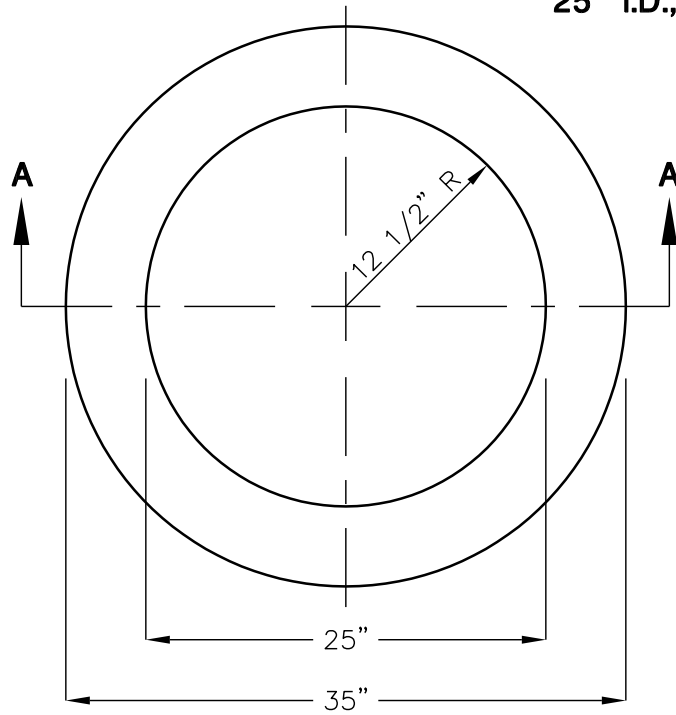


GRADE RINGS/RISERS

MODEL GR2535
25" I.D., 5" WALL



SECTION A-A

DESCRIPTION	APPROX. WEIGHT
GR2535-02 GRADE RING	82 LBS.
GR2535-04 GRADE RING	164 LBS.
GR2535-06 GRADE RING	246 LBS.

FOR COMPLETE DESIGN
AND PRODUCT INFORMATION
CONTACT JENSEN PRECAST.

CONFORMS TO CURRENT SPECIFICATIONS:
ASTM C-478 AND AASHTO M-199