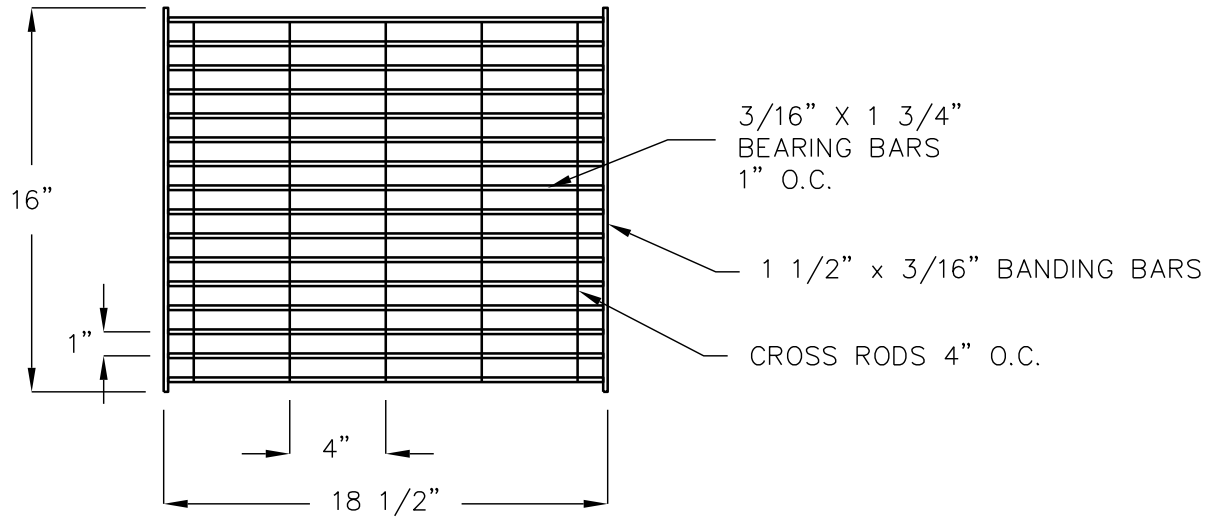


FRAME & GRATE

1616 DROP INLETS

H-20 TRAFFIC RATED

GRATE



FRAME

