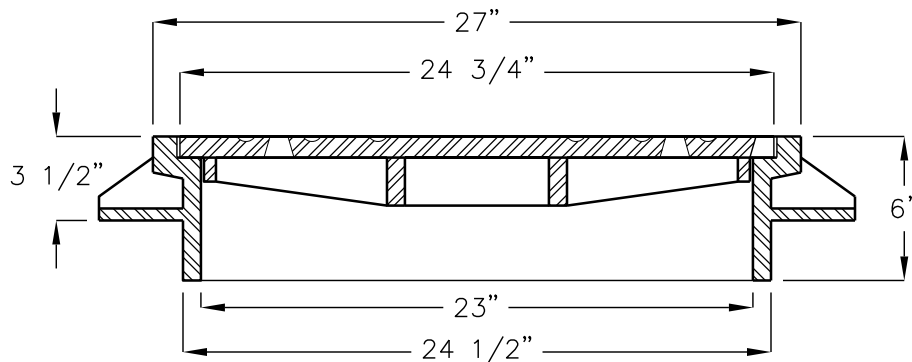
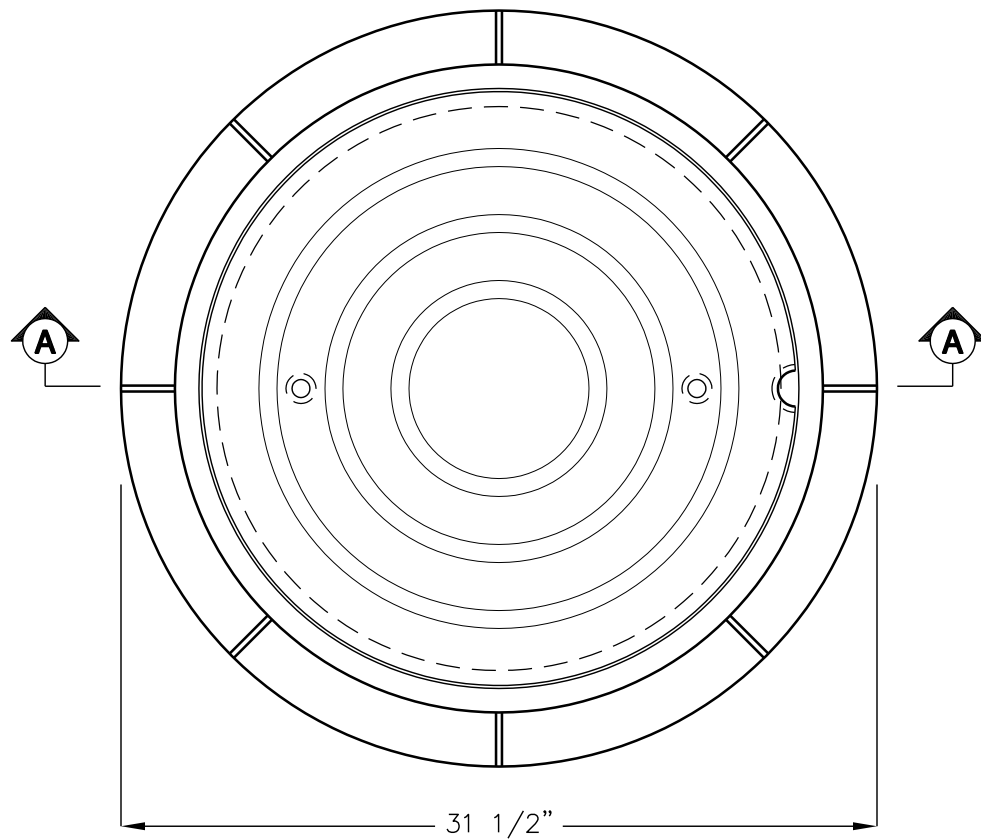


24" FRAME AND COVER

MODEL STD 802



SECTION A-A

FOR COMPLETE DESIGN
AND PRODUCT INFORMATION
CONTACT JENSEN PRECAST.