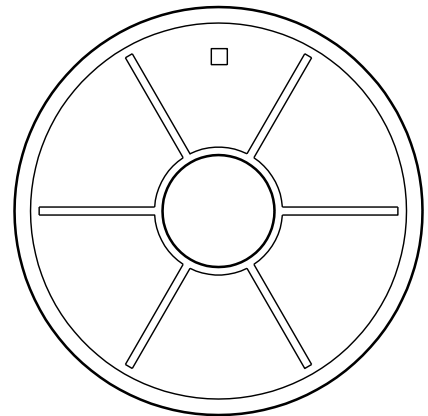
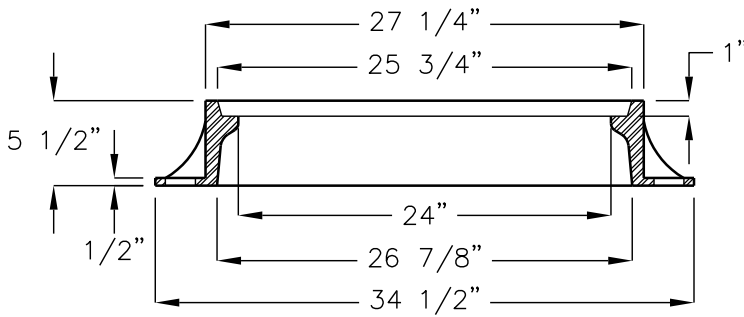
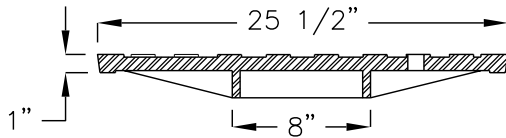
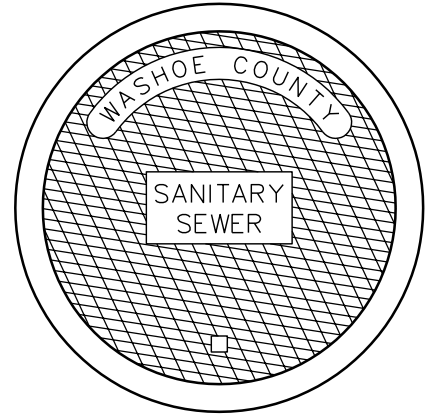
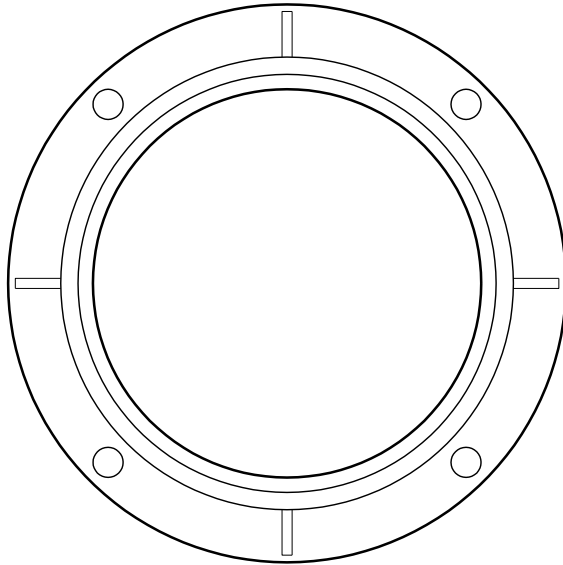


1032 WASHOE COUNTY SANITARY SEWER FRAME AND COVER



FOR COMPLETE DESIGN
AND PRODUCT INFORMATION
CONTACT JENSEN PRECAST.

CASTINGS MEET AASHTO M306
H-20 LOADING.
CASTINGS ARE COATED WITH
ASPHALTIC BASED PAINT.
APPROX. WIEGHT: 290 LBS.