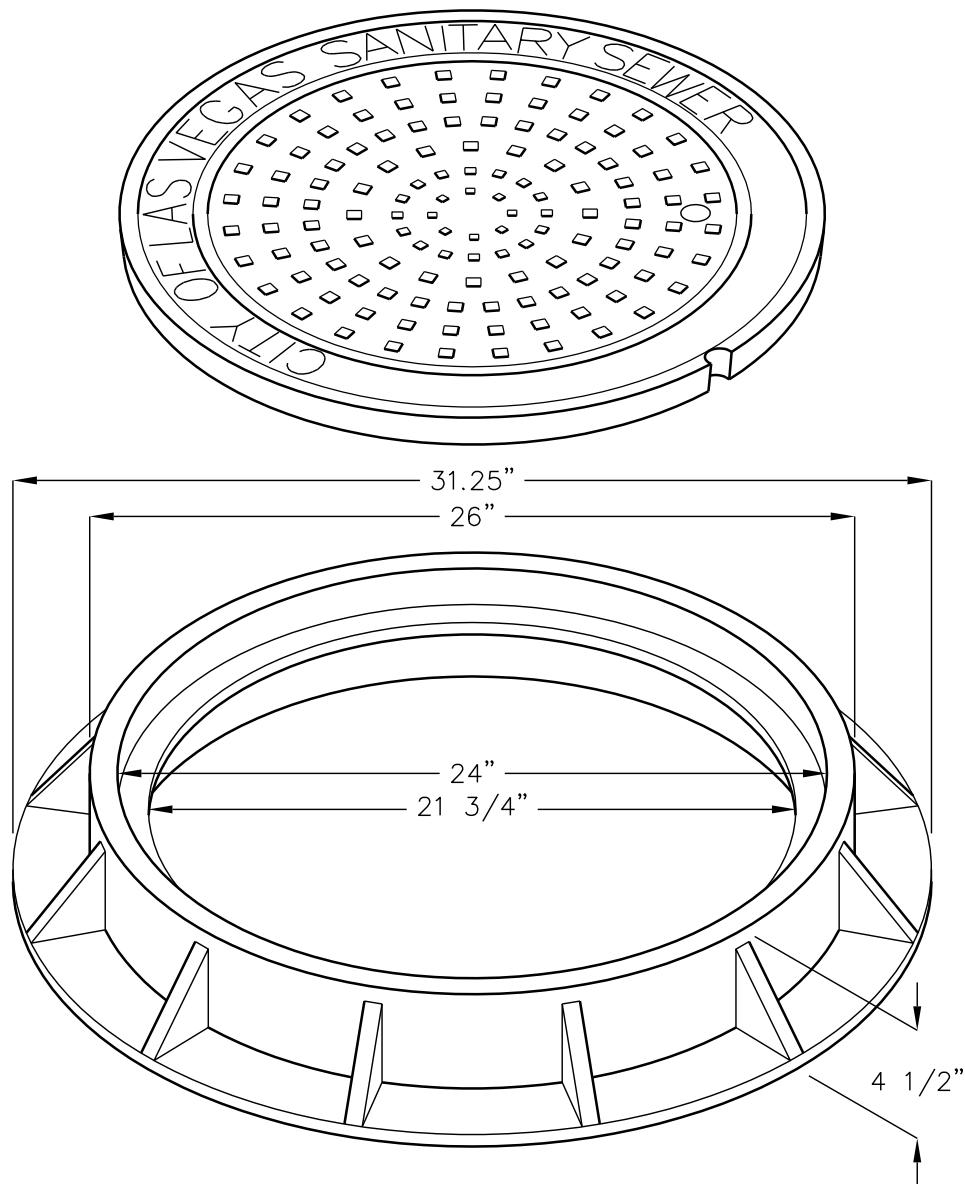


# 22" CLEAR OPENING RING AND COVER



## GENERAL INFORMATION

- ◆ ALL MATERIALS USED IN MANUFACTURING SHALL CONFORM TO ASTM A48-30.
- ◆ FRAME & COVER BEARING SURFACES MACHINED TO ASSURE CLOSE, QUIET FIT.
- ◆ STANDARD COVER EXCEEDS H-20 WHEEL LOADING.
- ◆ STANDARD COVER MARKINGS AVAILABLE: "SANITARY SEWER", "STORM DRAIN", OR AS PER REQUIRED LETTER DESIGNATION PER GOVERNING SANITATION DISTRICT REQUIREMENTS.

FOR COMPLETE DESIGN  
AND PRODUCT INFORMATION,  
CONTACT JENSEN PRECAST.

SANITARY SEWER OR STORM DRAIN RING AND  
COVER AS APPROVED BY LOCAL DISTRICTS.  
SPECIFY INSPECTION DISTRICT AND USE.