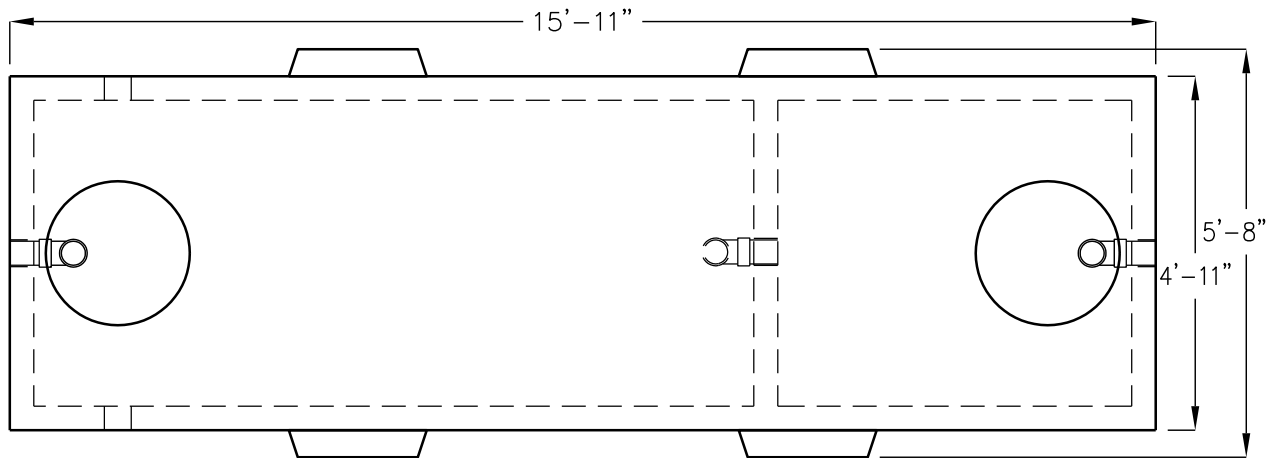
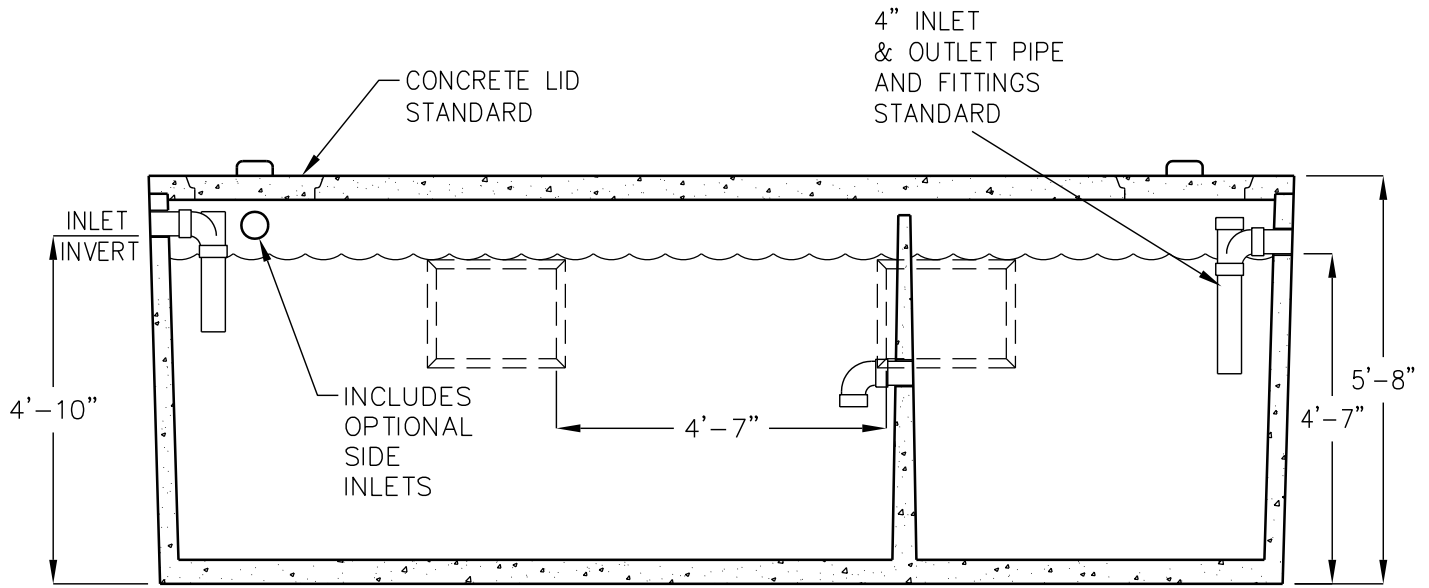


# 2000 GALLON RESIDENTIAL SEPTIC TANK

MODEL JS2000  
ACCEPTED BY UPC®



LIQUID CAPACITY: 2000 GALLONS  
BOX DESIGN LOAD: NON-TRAFFIC, UP TO 3 FEET  
OF SOIL COVER, MAXIMUM 500 PSF.

FOR COMPLETE DESIGN  
AND PRODUCT INFORMATION  
CONTACT JENSEN PRECAST.