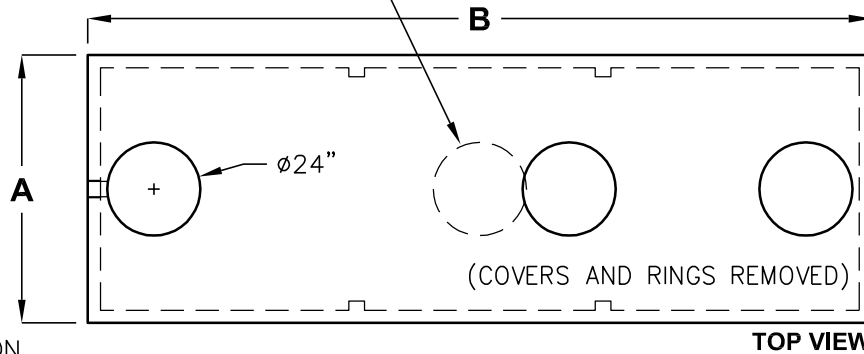


# 750-5000 GALLON HOLDING TANKS

TRAFFIC RATED

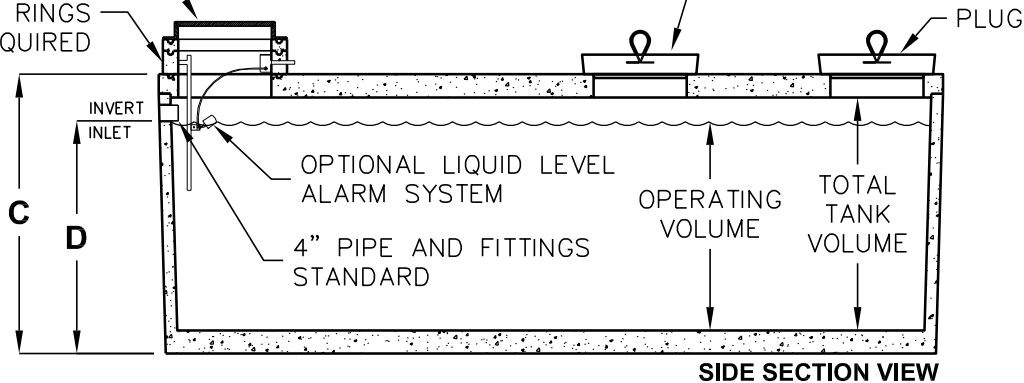
OPENING CENTERED ON TANKS  
LESS THAN 2000 GALLONS



24" CAST IRON  
FRAME AND COVER  
WITH (GASTIGHT)  
GASKET STANDARD

3", 6" AND 12"  
GR2432 GRADE RINGS  
AS REQUIRED

CONCRETE PLUG STANDARD  
CAST IRON FRAME AND COVER  
OPTIONAL



MODEL NUMBER	OPERATING VOLUME (GALLONS)	TOTAL VOLUME (GALLONS)	DIM A	DIM B	DIM C	DIM D	MINIMUM EXCAVATION WIDTH	MINIMUM EXCAVATION LENGTH	DEPTH OF BURY
HP750-EPP	750	924	4'-3"	8'-1"	6'-3"	5'-0"	5'-3"	9'-1"	1' TO 6'
HP1000-EPP	1000	1240	5'-4"	8'-2"	6'-3"	5'-0"	6'-4"	9'-2"	1' TO 6'
HP1200-EPP	1200	1485	6'-0"	8'-6"	6'-6"	5'-0"	7'-0"	9'-6"	1' TO 6'
HP1500-EPP	1500	1870	5'-10"	10'-8"	6'-3"	5'-0"	6'-10"	11'-8"	1' TO 6'
HP2000-EPP	2000	2424	4'-11"	15'-11"	6'-0"	5'-0"	5'-11"	16'-11"	1' TO 6'
HZ2500-EPP	2500	3066	5'-9"	16'-10"	6'-0"	5'-0"	6'-9"	17'-10"	1' TO 5'
HZ3000-EPP	3000	3526	5'-9"	16'-10"	6'-9"	5'-9"	6'-9"	17'-10"	1' TO 5'
HZ4000-EPP	4000	4851	7'-8"	16'-7"	6'-9"	5'-6"	8'-8"	17'-7"	1' TO 5'
HZ5000-EPP	5000	5750	7'-8"	16'-7"	7'-11"	6'-9"	8'-8"	17'-7"	1' TO 4'

NOT RECOMMENDED FOR POTABLE WATER OR ABOVE GROUND USE.

DESIGN LOAD: H-20 TRAFFIC WITH DRY SOIL CONDITIONS (WATER LEVEL BELOW TANK.)

SUITABLE SUB-BASE BEDDED WITH GRANULAR MATERIAL SHALL BE PREPARED TO HANDLE ANTICIPATED LOADS.

FOR COMPLETE DESIGN AND PRODUCT INFORMATION  
CONTACT JENSEN PRECAST.

2/1/08  
HP750-HZ5000\_TRF\_NOCAL\_A.dwg  
© 2008 Jensen Precast

Jensen Precast reserves the right to make changes to product design and/or dimensions without notice. Please contact Jensen Precast whenever necessary for confirmation or advice on product design.

**JENSEN**  
PRECAST