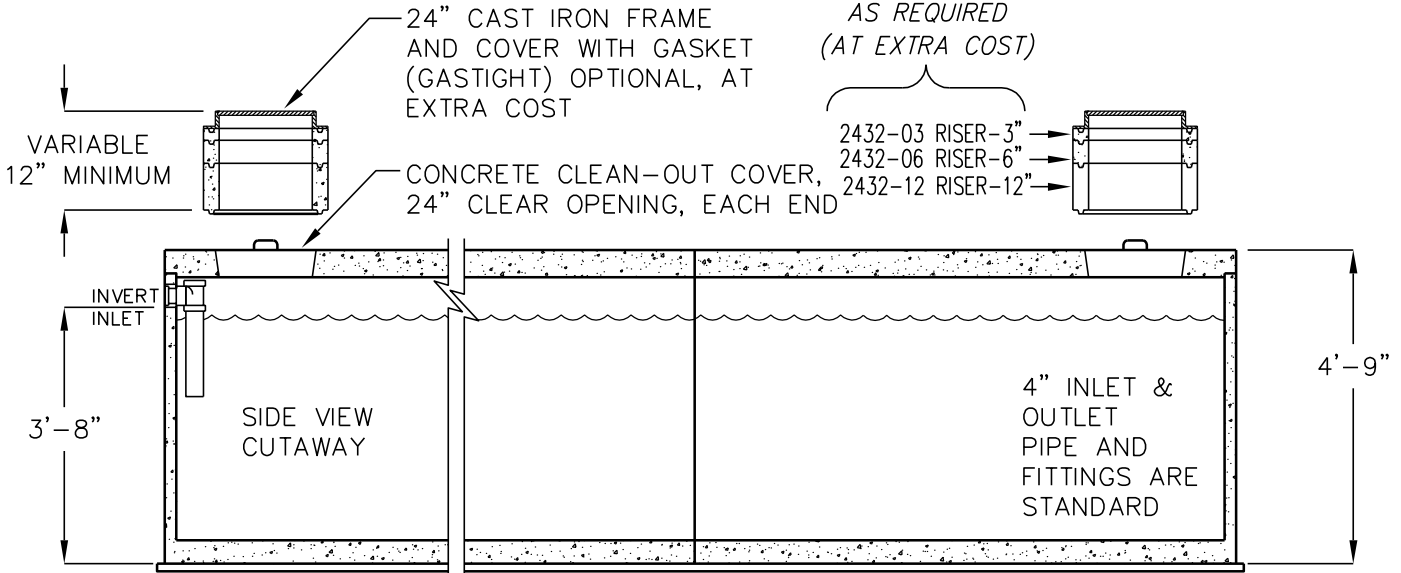


5000 GALLON LOW PROFILE BATTERY HOLDING TANK

MODEL 2XHP2500

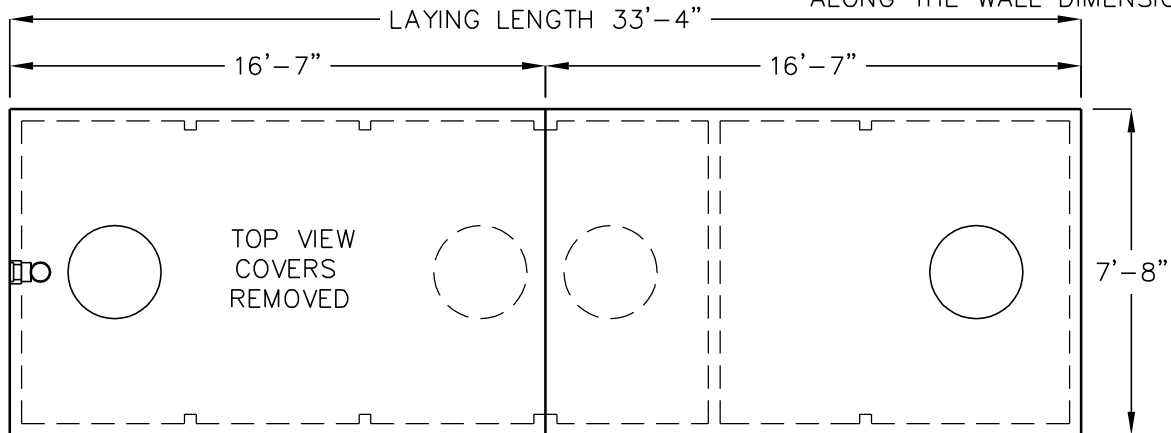


LIQUID CAPACITY: 5000 GALLONS

BOX DESIGN LOAD: H-20 TRAFFIC WITH 1' TO 5' OF COVER FOR COMPLETE DESIGN AND PRODUCT INFORMATION, CONTACT JENSEN PRECAST.

*2x6 REDWOOD GRADE BOARDS (SUPPLIED BY OTHERS)

*NOTE: THE PRECAST CONCRETE UNITS SHALL BE PLACED ON LEVEL UNDISTURBED SOIL, OR APPROVED COMPACTED FILL. TWO 2x6 REDWOOD GRADE BOARDS SHALL BE PLACED BELOW THE TANK SIDE WALLS ALONG THE WALL DIMENSION.



○ = RECOMMENDED RISER/CAST IRON COVER LOCATIONS

○ = OPTIONAL RISER/CAST IRON COVER LOCATIONS

ASSEMBLY SEQUENCE SIDE VIEW

INLET	1 COVER	2 COVER	OUTLET
	1 BASE	2 BASE	