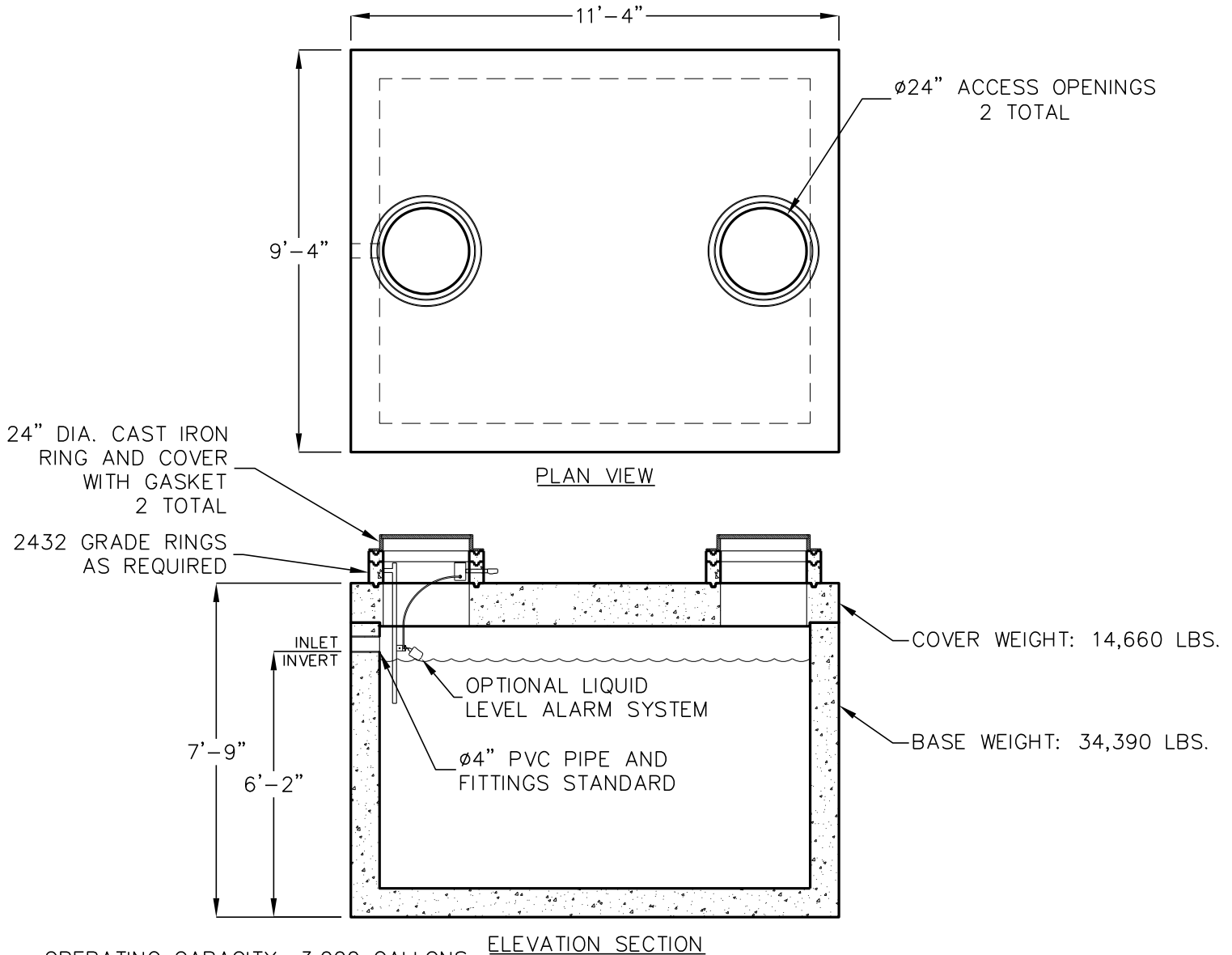


# 3000 GALLON HOLDING TANK

MODEL MU3000-EE-H2  
SPECIAL LOADING CONDITIONS



OPERATING CAPACITY: 3,000 GALLONS.  
NOT RECOMMENDED FOR POTABLE WATER.

**DESIGN LOADS:**

CONDITION 1- H-20 TRAFFIC WITH DRY SOIL CONDITIONS (WATER LEVEL BELOW TANK) AND 13 INCHES TO 14 FEET SOIL COVER.

CONDITION 2- H-20 TRAFFIC WITH WATER LEVEL 2 FEET BELOW GRADE AND 13 INCHES TO 9 FEET SOIL COVER.

SUITABLE SUB-BASE BEDDED WITH GRANULAR MATERIAL SHALL BE PREPARED TO HANDLE ANTICIPATED LOADS.

FOR COMPLETE DESIGN AND PRODUCT INFORMATION CONTACT JENSEN PRECAST.

MINIMUM EXCAVATION  
10'-4" x 12'-4"  
x REQ'D DEPTH

**B** Jensen Precast reserves the right to make changes to product design and/or dimensions without notice. Please contact Jensen Precast whenever necessary for confirmation or advice on product design.