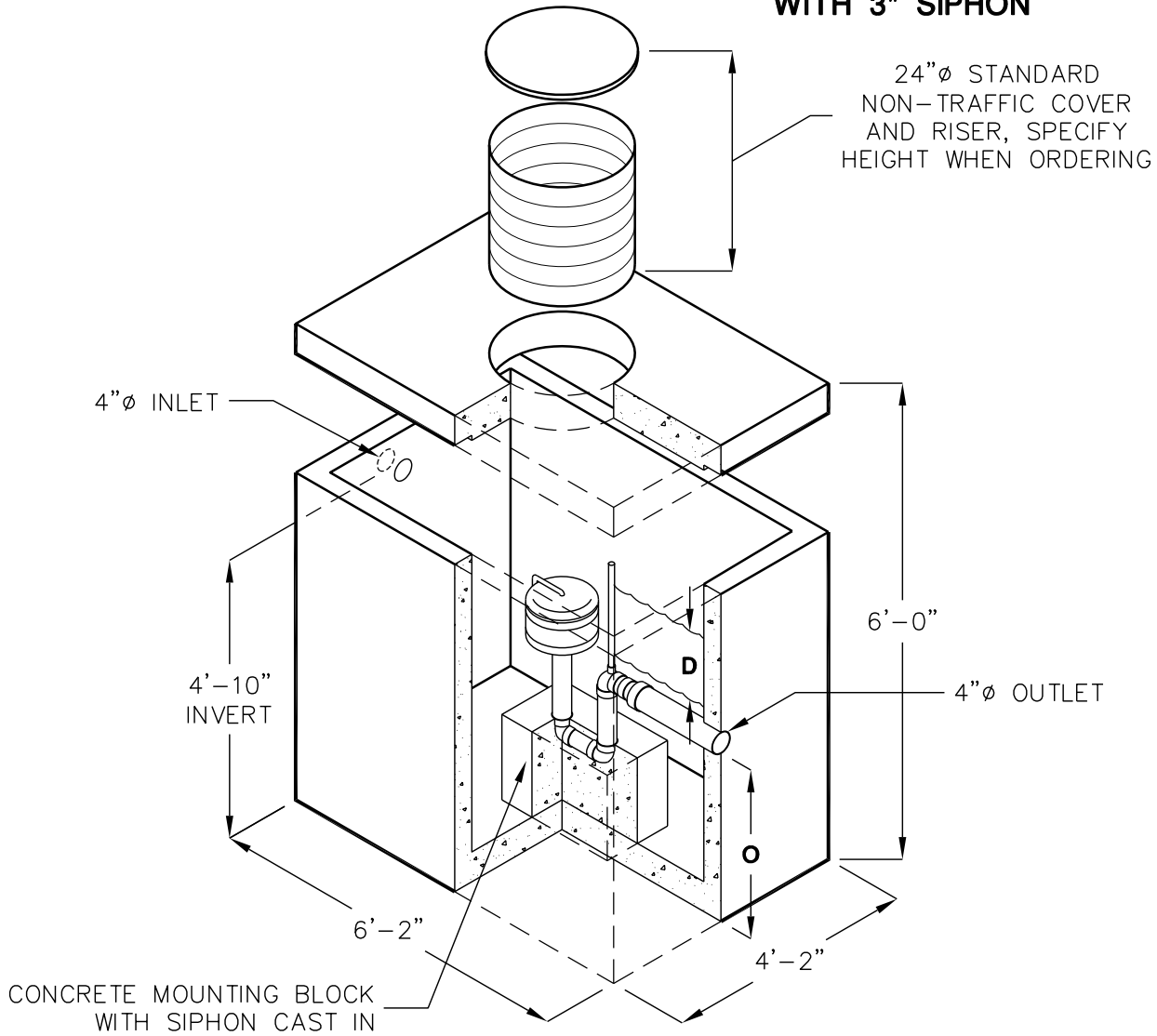


DOSING SIPHON TANK SERIES 620 WITH 3" SIPHON



Dosing Siphon Tank Model No.	Average Discharge Flow (GPM)	Discharge Volume (Gallons)	Outlet Invert "O"	Draw Down "D"
DS620-310	68	114	3'-7"	10"
DS620-312	70	137	3'-4"	12"
DS620-314	72	160	3'-3"	14"
DS620-316	74	183	3'-0"	16"
DS620-318	76	206	2'-10"	18"
DS620-320	80	228	2'-8"	20"
DS620-324	90	274	2'-2"	24"

DESIGN LOAD: NON-TRAFFIC, 5' MAX. SOIL COVER, H-20 TRAFFIC OPTION AVAILABLE.

FOR INFORMATION ON FILTER SCREENS AND DOSE COUNTERS SEE SIPHON ACCESSORIES PAGES.

FOR COMPLETE DESIGN AND PRODUCT INFORMATION CONTACT JENSEN PRECAST.