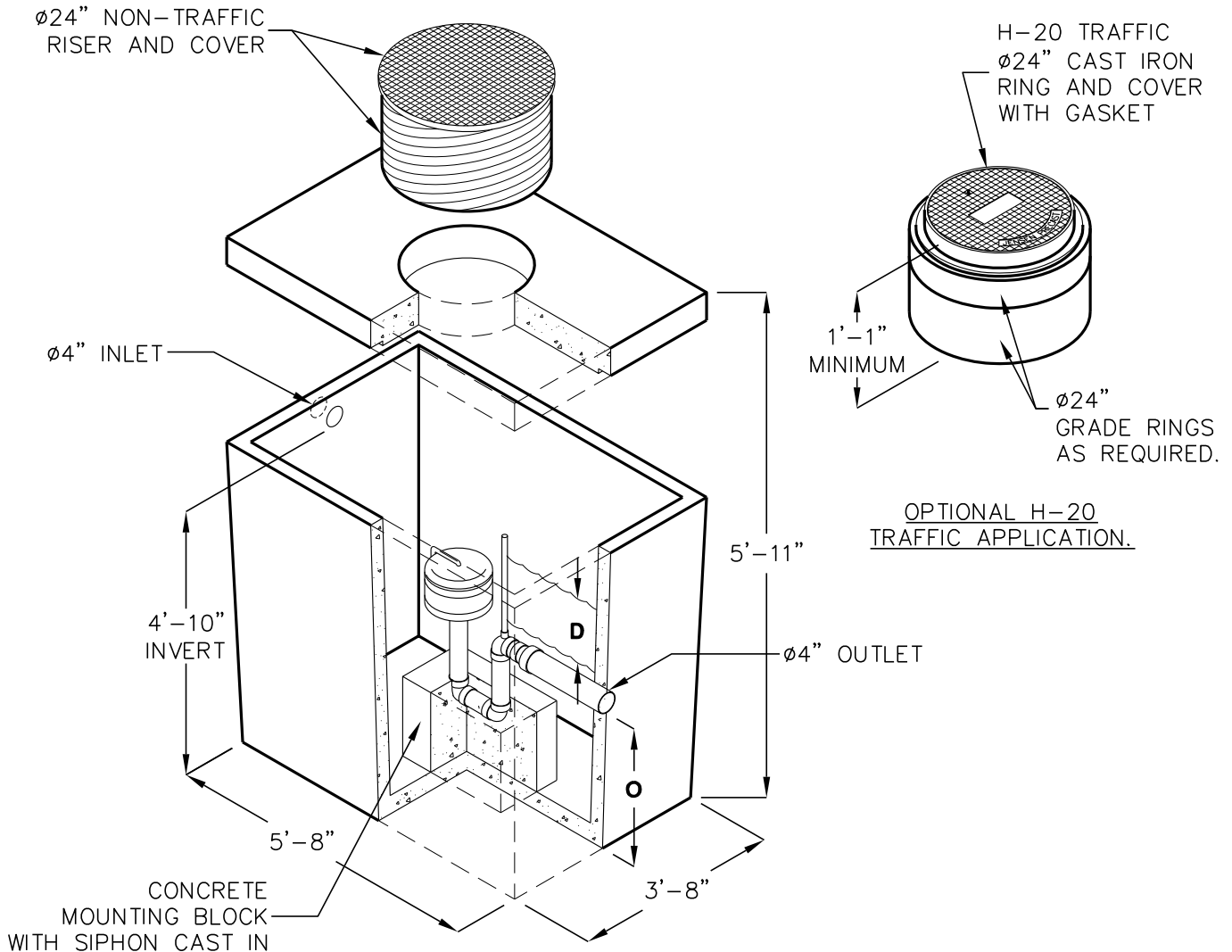


DOSING SIPHON TANK SERIES 500 WITH 3" SIPHON



H-20 TRAFFIC DOSING SIPHON TANK MODEL NO.	NON-TRAFFIC DOSING SIPHON TANK MODEL NO.	AVERAGE DISCHARGE FLOW (GPM)	DISCHARGE VOLUME (GALLONS)	OUTLET INVERT "O"	DRAW DOWN "D"
DS310T-JP500	DS310-JP500	68	116	3'-7"	10"
DS312T-JP500	DS312-JP500	70	138	3'-4"	12"
DS314T-JP500	DS314-JP500	72	161	3'-3"	14"
DS316T-JP500	DS316-JP500	74	184	3'-0"	16"
DS318T-JP500	DS318-JP500	76	206	2'-10"	18"
DS320T-JP500	DS320-JP500	80	228	2'-8"	20"
DS324T-JP500	DS324-JP500	90	272	2'-2"	24"

DESIGN LOAD: NON-TRAFFIC, 6'-0" MAXIMUM SOIL COVER, H-20 TRAFFIC OPTION AVAILABLE.

FOR INFORMATION ON FILTER SCREENS AND DOSE COUNTERS SEE SIPHON ACCESSORIES PAGES.

FOR COMPLETE DESIGN AND PRODUCT INFORMATION CONTACT JENSEN PRECAST.

Jensen Precast reserves the right to make changes to product design and/or dimensions without notice. Please contact Jensen Precast whenever necessary for confirmation or advice on product design.

JENSEN
PRECAST