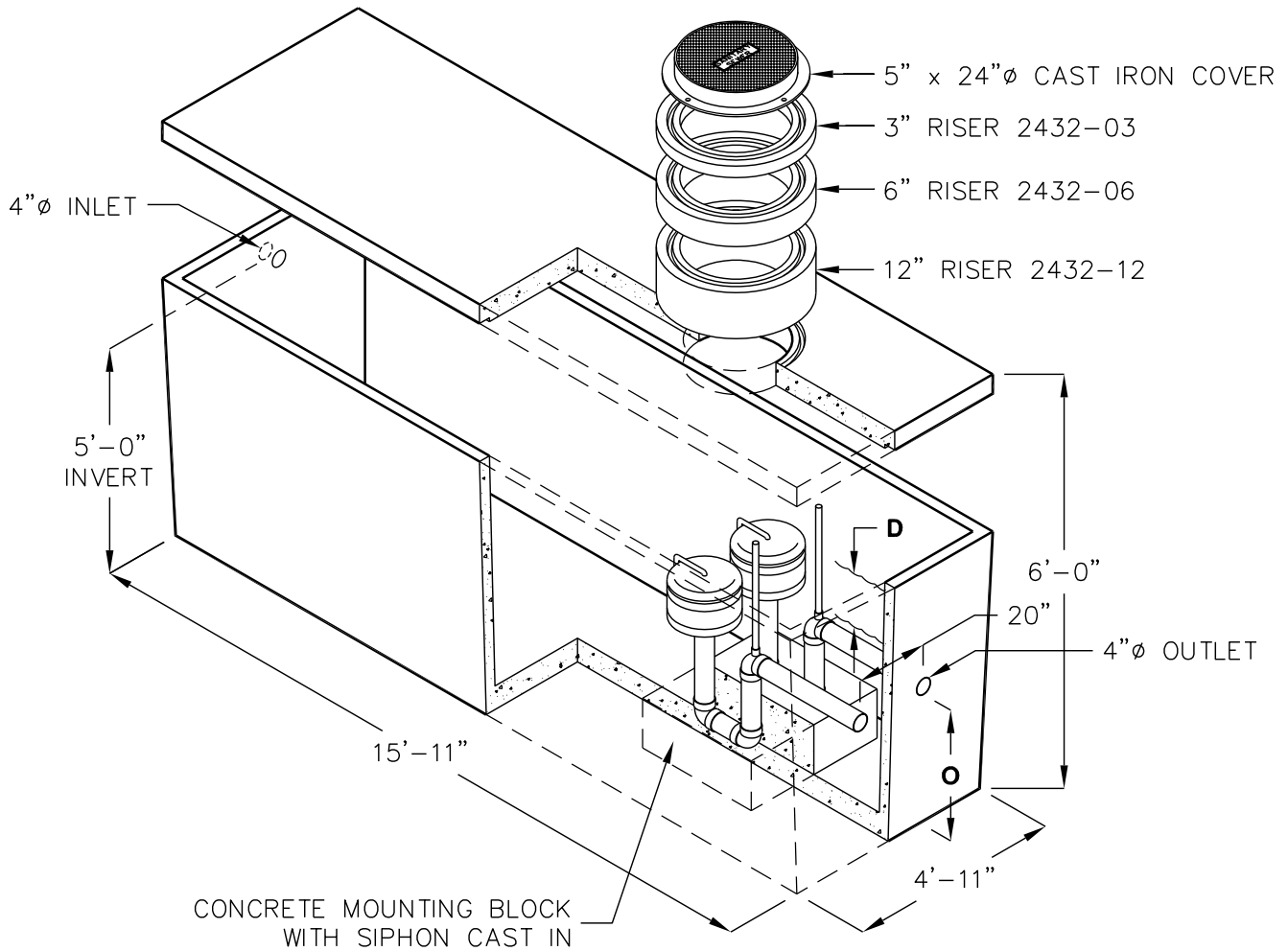


# DOSING SIPHON TANK SERIES 2000T-D WITH 4" DUAL ALTERNATING SIPHONS



Dosing Siphon Tank Model No.	Average Discharge Flow (GPM)	Discharge Volume (Gallons)	Outlet Invert "O"	Draw Down "D"
DS2000-412	140	485	2'-11"	12"
DS2000-414	144	566	3'-2"	14"
DS2000-416	148	646	3'-0"	16"
DS2000-418	152	727	2'-10"	18"
DS2000-420	156	808	2'-7"	20"
DS2000-424	160	970	2'-4"	24"

DESIGN LOAD: H-20 TRAFFIC, 6' MAX. SOIL COVER, NON-TRAFFIC OPTION AVAILABLE.

FOR INFORMATION ON FILTER SCREENS AND DOSE COUNTERS SEE OPTION PAGES.

FOR COMPLETE DESIGN AND PRODUCT INFORMATION CONTACT JENSEN PRECAST.