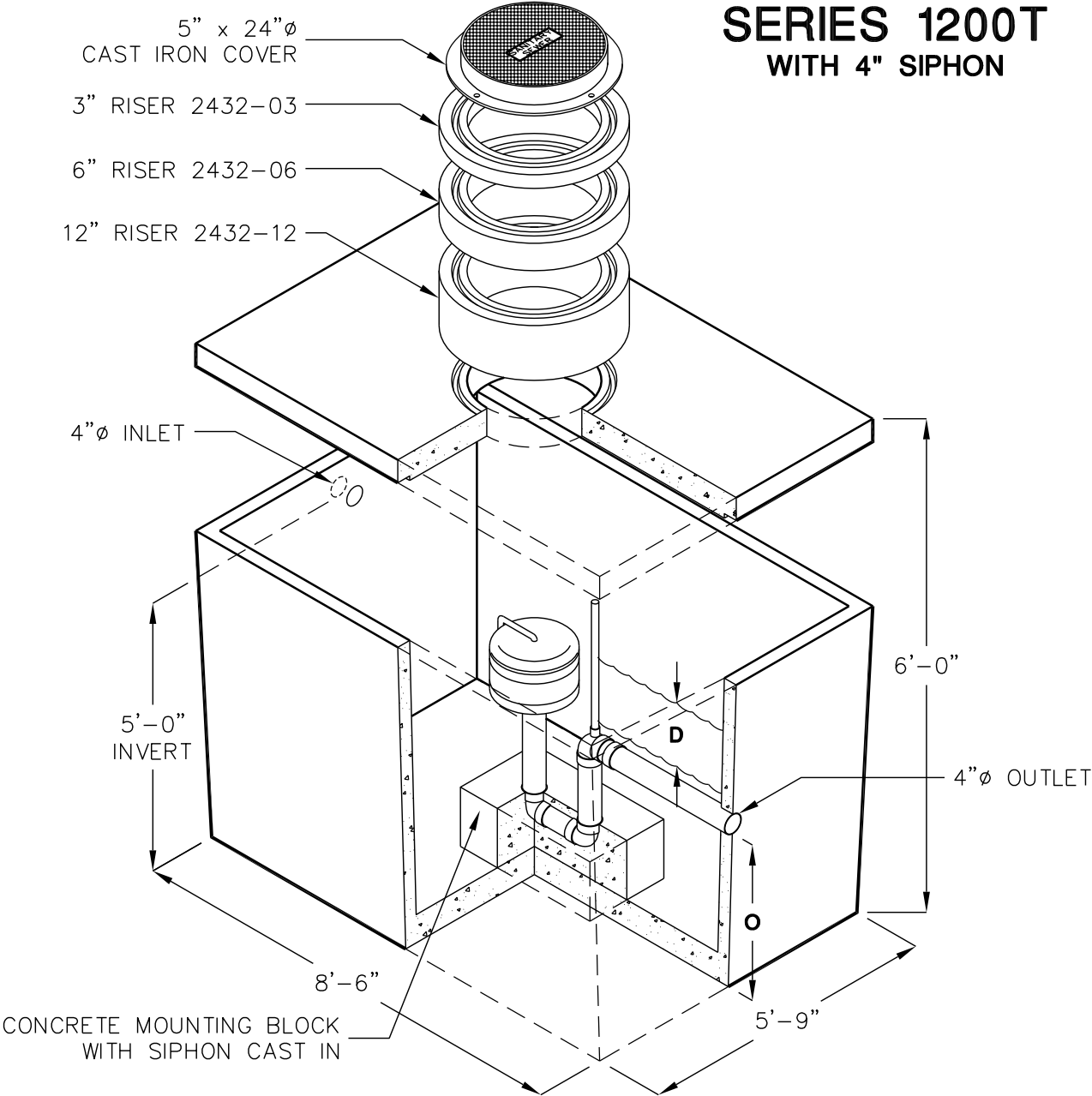


DOSING SIPHON TANK SERIES 1200T WITH 4" SIPHON



Dosing Siphon Tank Model No.	Average Discharge Flow (GPM)	Discharge Volume (Gallons)	Outlet Invert "O"	Draw Down "D"
DS1200-412	140	298	2'-11"	12"
DS1200-414	144	348	3'-2"	14"
DS1200-416	148	397	3'-0"	16"
DS1200-418	152	447	2'-10"	18"
DS1200-420	156	496	2'-7"	20"

DESIGN LOAD: H-20 TRAFFIC, 6' MAX. SOIL COVER, NON-TRAFFIC OPTION AVAILABLE.

FOR INFORMATION ON FILTER SCREENS AND DOSE COUNTERS SEE SIPHON ACCESSORIES PAGES.

FOR COMPLETE DESIGN AND PRODUCT INFORMATION CONTACT JENSEN PRECAST.