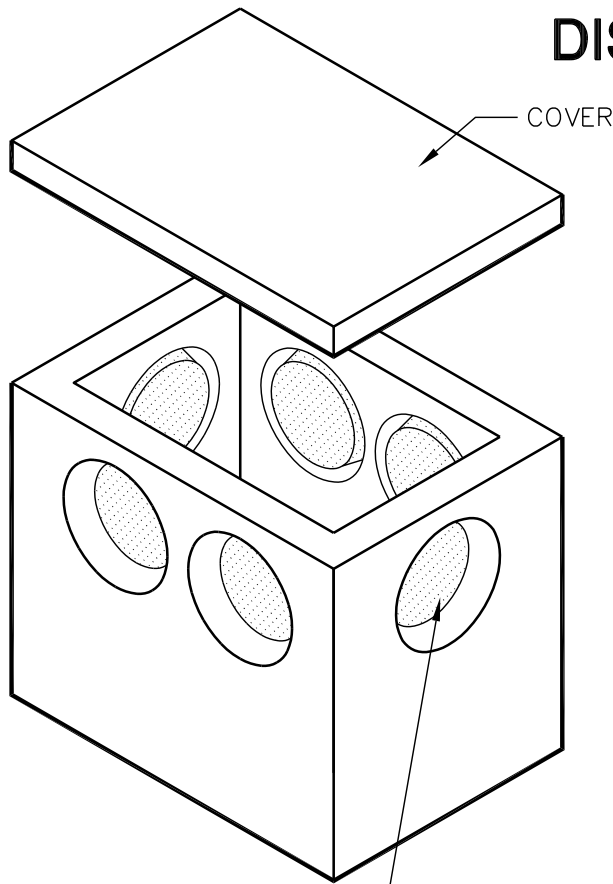


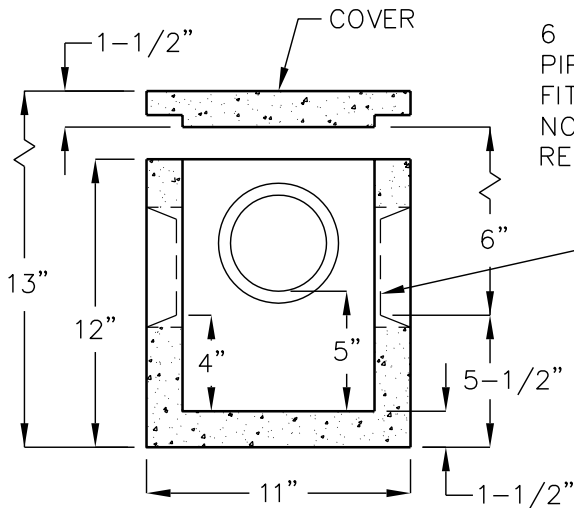
RESIDENTIAL DISTRIBUTION BOX

MODEL D-5

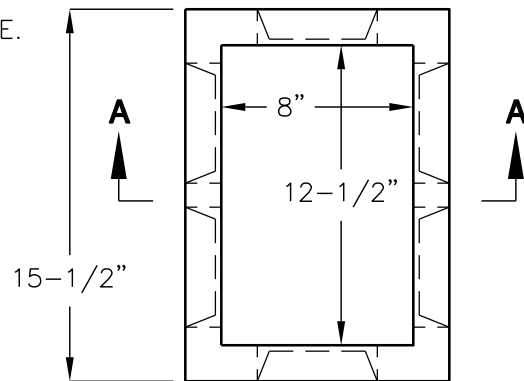


WEIGHT:

BOX - 50 LBS.
COVER - 20 LBS.



SECTION A-A



TOP VIEW

FOR COMPLETE DESIGN
AND PRODUCT INFORMATION,
CONTACT JENSEN PRECAST.