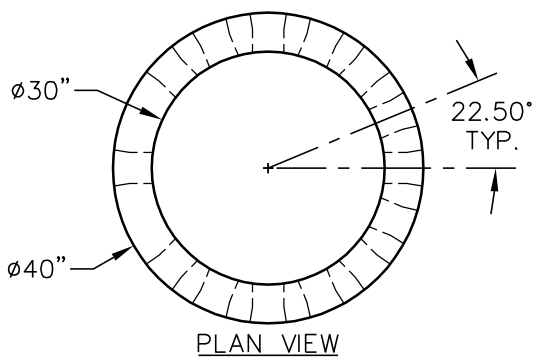
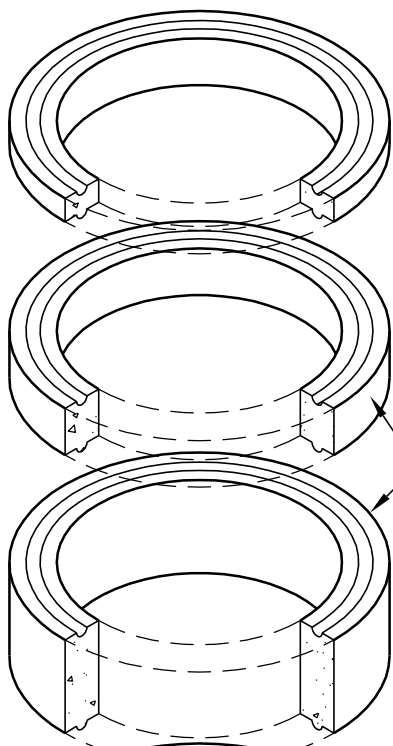
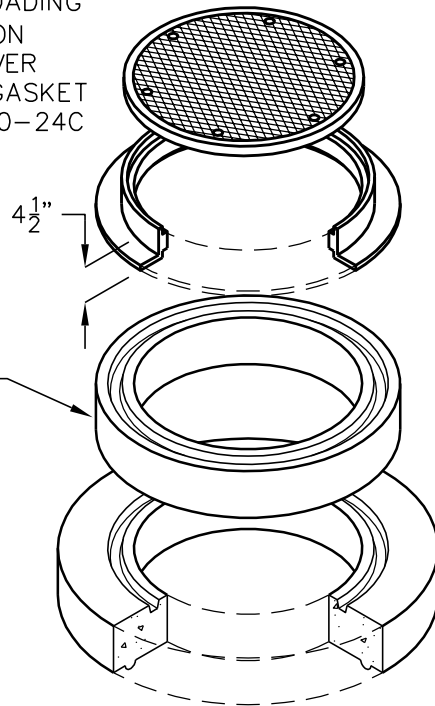


# COMMERCIAL DISTRIBUTION BOX

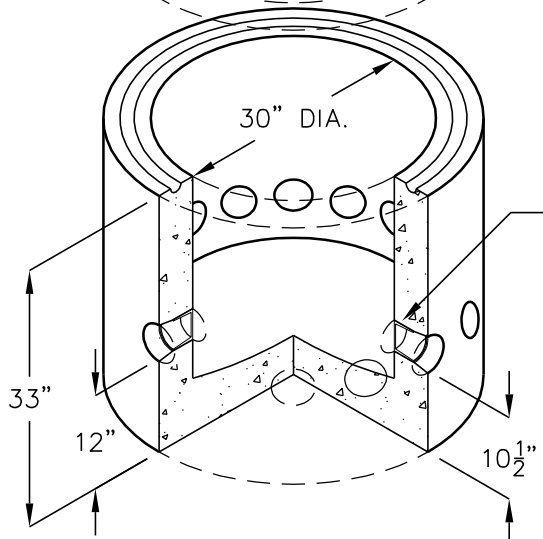
## MODEL D-30



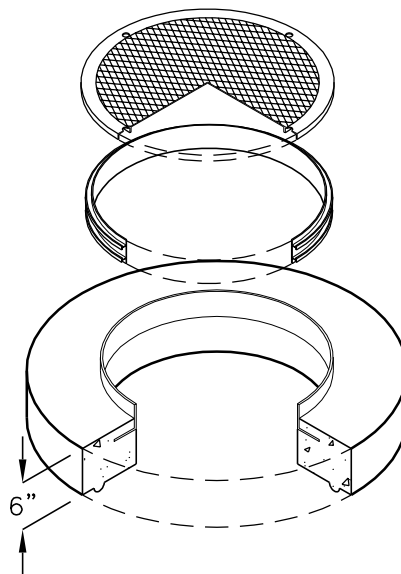
H-20 TRAFFIC LOADING  
 24" CAST IRON  
 RING AND COVER  
 WITH GAS TIGHT GASKET  
 USE REDUCER D30-24C



NON-TRAFFIC PEDESTRIAN LOADING  
 FIBERGLASS LID OPTION  
 BOLT DOWN COVER  
 GREEN OR BROWN COLORS AVAILABLE



PLASTIC PIPE SEALS  
 FIT 3" AND 4"  
 SMOOTH WALL  
 PLASTIC PIPE  
 NO GROUTING  
 REQUIRED



FOR COMPLETE DESIGN AND PRODUCT INFORMATION CONTACT JENSEN PRECAST.

Jensen Precast reserves the right to make changes to product design  
 and/or dimensions without notice. Please contact Jensen Precast whenever  
 necessary for confirmation or advice on product design.