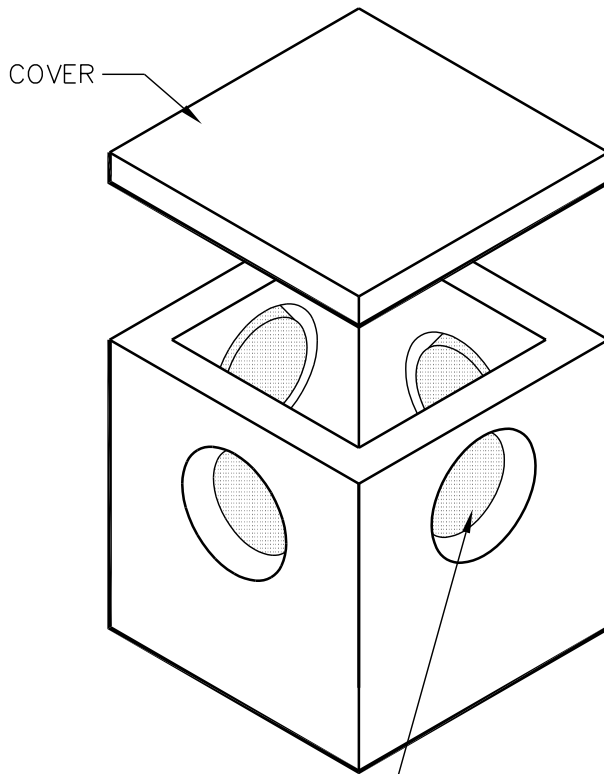


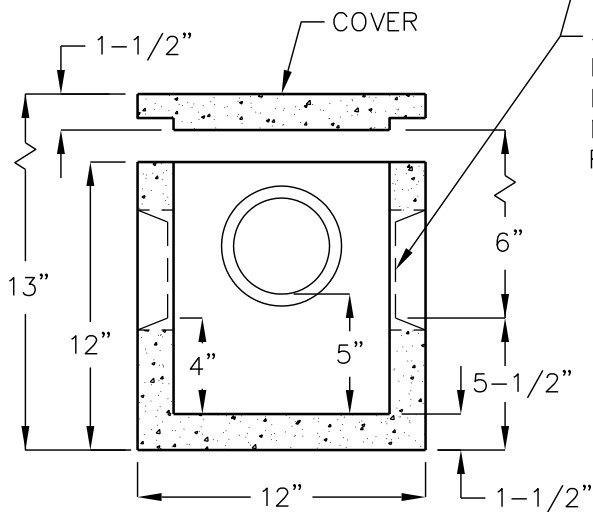
RESIDENTIAL DISTRIBUTION BOX

MODEL D-3

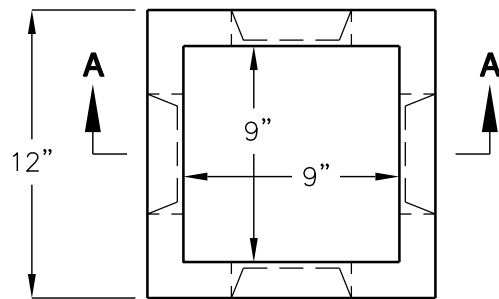


WEIGHT:

BOX - 40 LBS.
COVER - 15 LBS.



4 PLASTIC
PIPE SEALS.
FITS ALL 4" PIPE.
NO GROUT
REQUIRED.



FOR COMPLETE DESIGN
AND PRODUCT INFORMATION,
CONTACT JENSEN PRECAST.