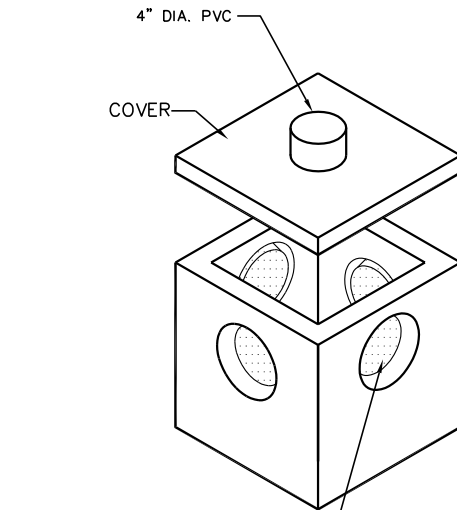


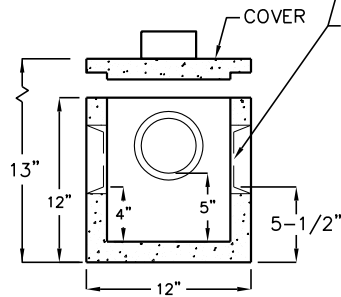
HAWAII RESIDENTIAL DISTRIBUTION BOXES

MODEL D3-H & D5-H

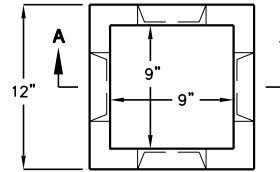


WEIGHT:
BOX - 40 LBS.
COVER - 15 LBS.

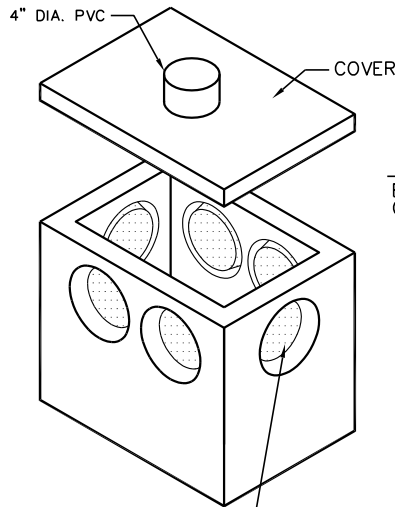
BOX D3-H



SECTION A-A

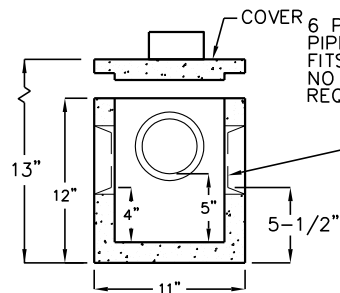


TOP VIEW

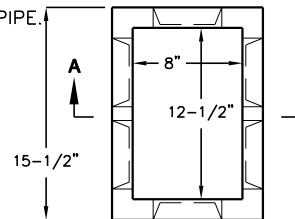


WEIGHT:
BOX - 50 LBS.
COVER - 20 LBS.

BOX D5-H



SECTION A-A



TOP VIEW

FOR COMPLETE DESIGN
AND PRODUCT INFORMATION,
CONTACT JENSEN PRECAST.