

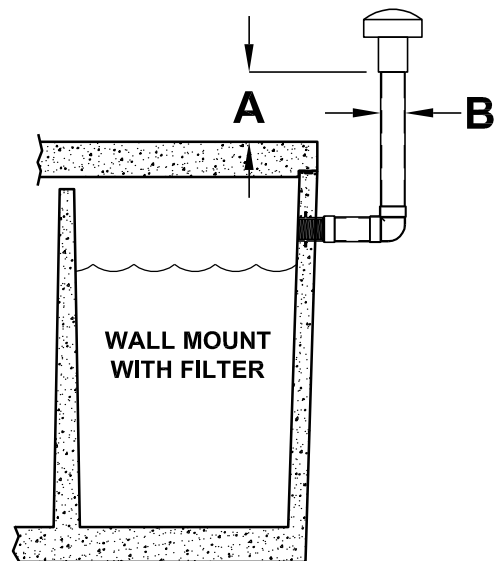
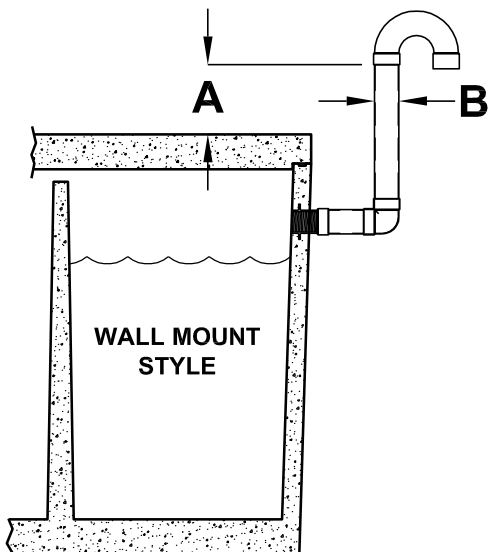
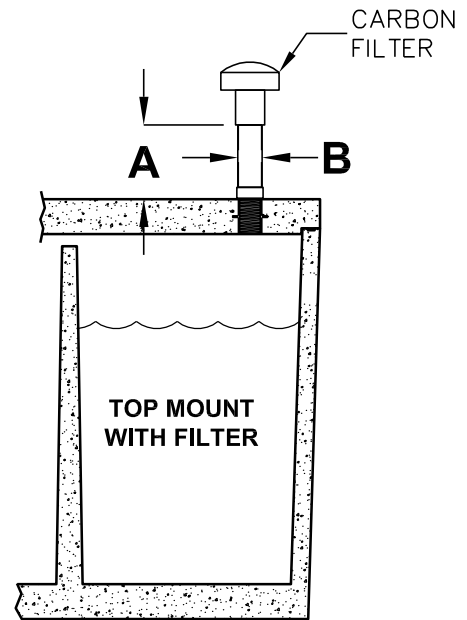
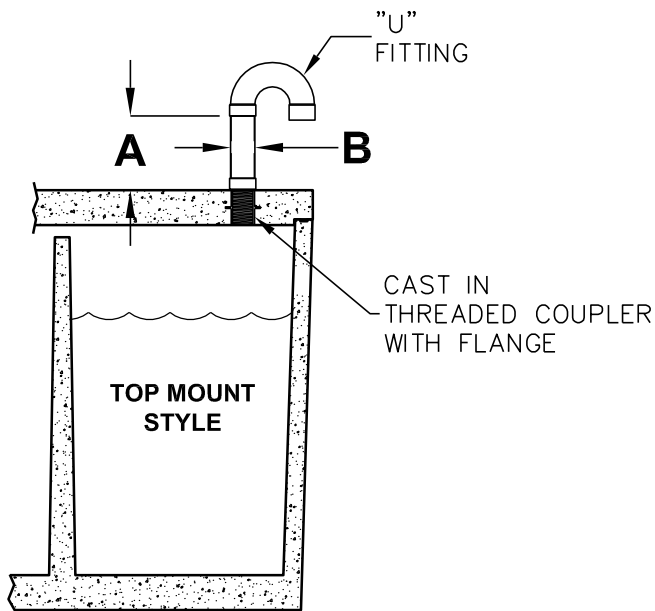
# VAULT VENTING OPTIONS

LOCATION (CHECK ONE)  
 TOP   
 SIDE

CONFIGURATION (CHECK ONE)  
 STRAIGHT   
 "U"

CARBON FILTER (CHECK ONE)  
 YES   
 NO

DIMENSION TABLE	
<b>A</b>	
<b>B</b>	
PIPE TYPE & CLASS	



Jensen Precast reserves the right to make changes to product design and/or dimensions without notice. Please contact Jensen Precast whenever necessary for confirmation or advice on product design.

