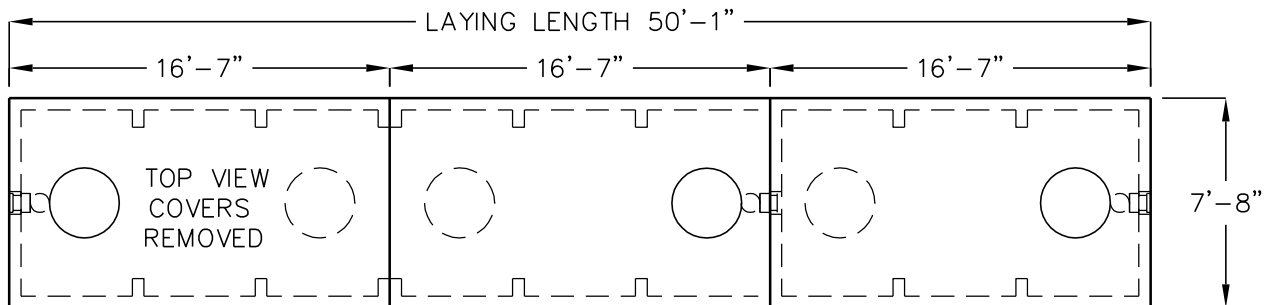
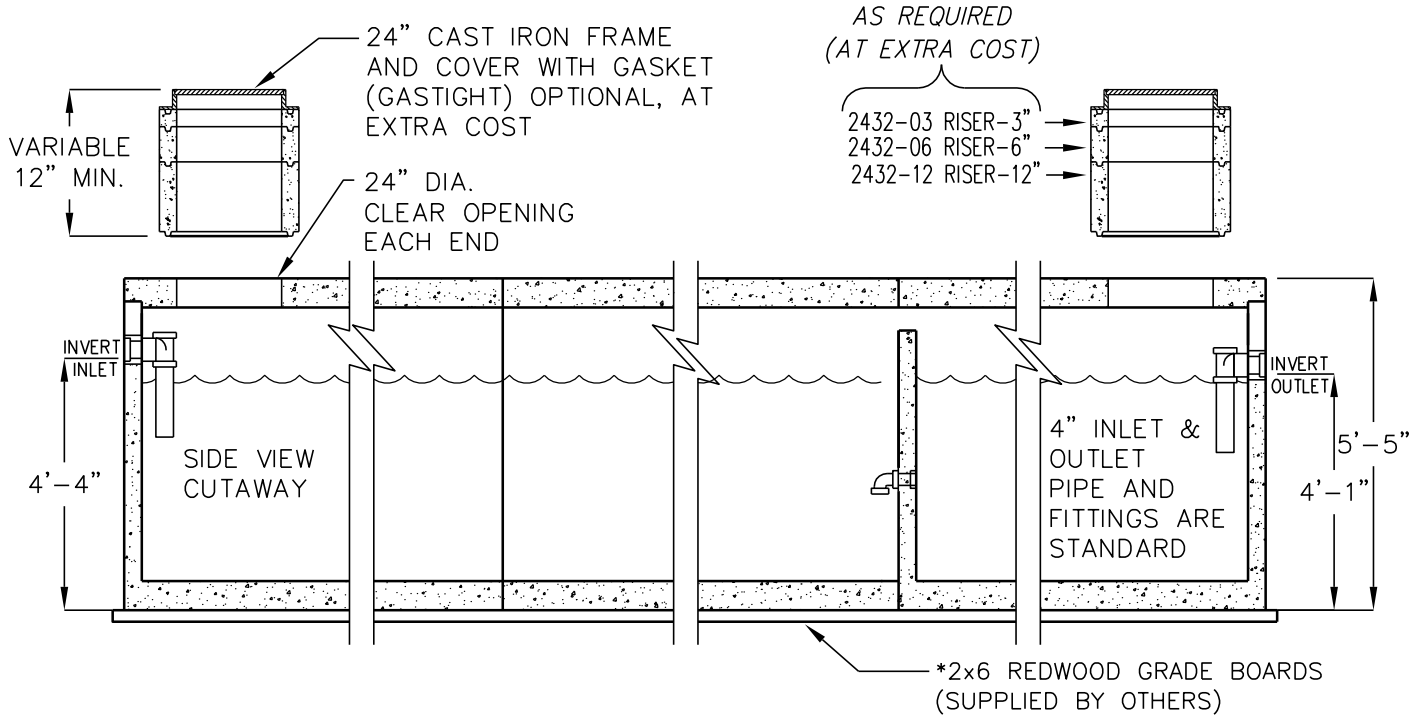


# 9000 GALLON LOW PROFILE BATTERY SEPTIC TANK

MODEL 3XJP3000



ASSEMBLY SEQUENCE  
SIDE VIEW

- = RECOMMENDED RISER/CAST IRON COVER LOCATIONS
- = OPTIONAL RISER/CAST IRON COVER LOCATIONS

INLET	1 COVER	2 COVER	3 COVER	OUTLET
	1 BASE	2 BASE	3 BASE	

FOR INSTALLATION INSTRUCTIONS, DESIGN AND PRODUCT INFORMATION, CONTACT JENSEN PRECAST.

LIQUID CAPACITY: 9,000 GALLONS.

BOX DESIGN LOAD: H-20 TRAFFIC FROM 1' TO 5' OF SOIL COVER.