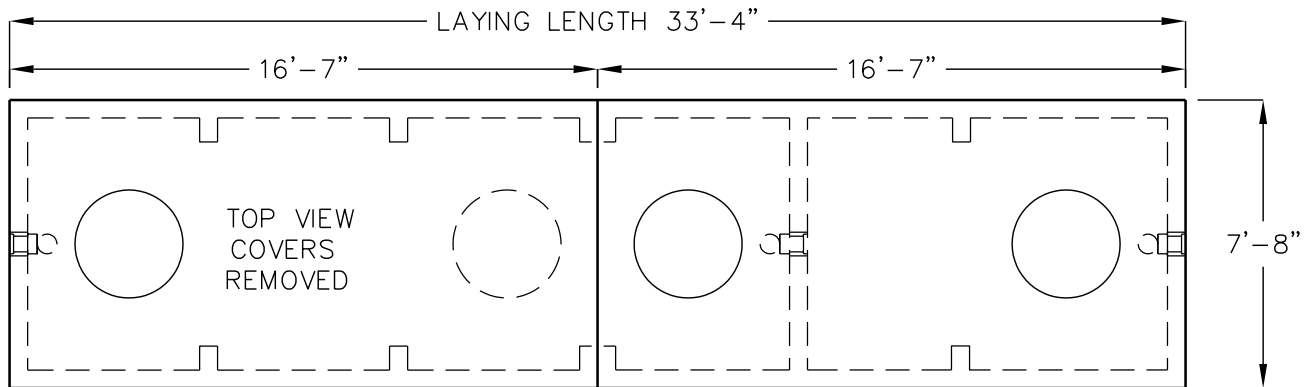
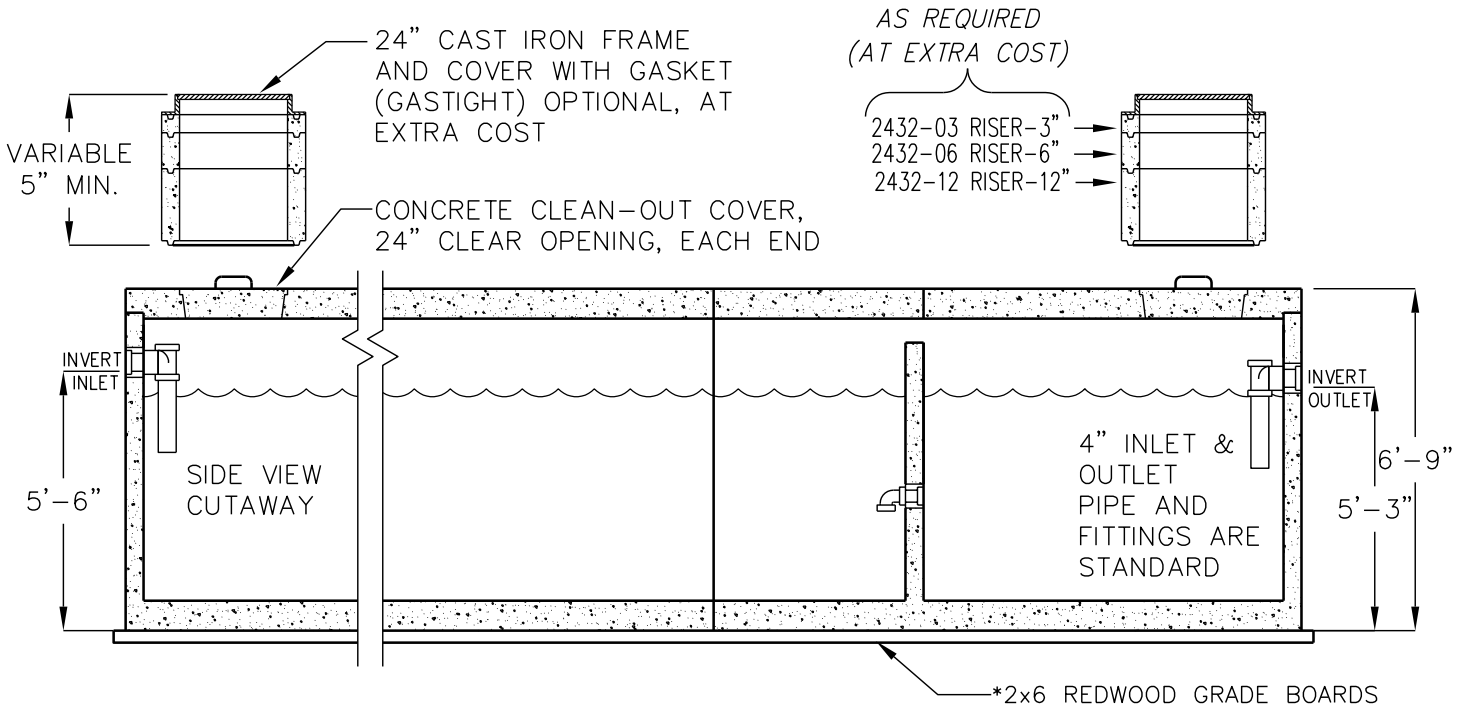


# 8000 GALLON BATTERY SEPTIC TANK

MODEL 2XJZ4000



○ = RECOMMENDED RISER/CAST IRON COVER LOCATIONS

○ = OPTIONAL RISER/CAST IRON COVER LOCATIONS

FOR INSTALLATION INSTRUCTIONS,  
DESIGN AND PRODUCT INFORMATION,  
CONTACT JENSEN PRECAST.

LIQUID CAPACITY: 8,000 GALLONS.

BOX DESIGN LOAD: H-20 TRAFFIC FROM 1' TO 5' OF  
SOIL COVER. DEEP BURY DESIGN ALSO AVAILABLE.