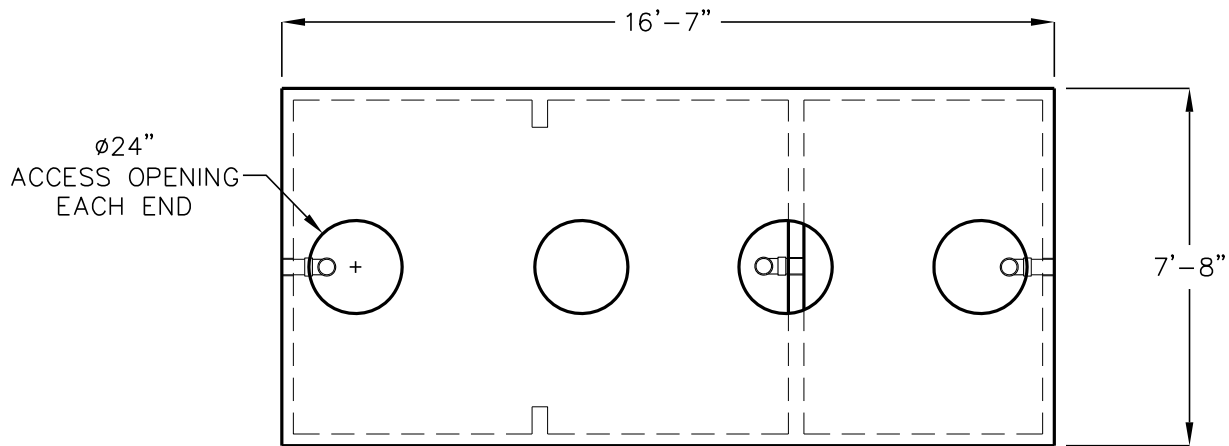
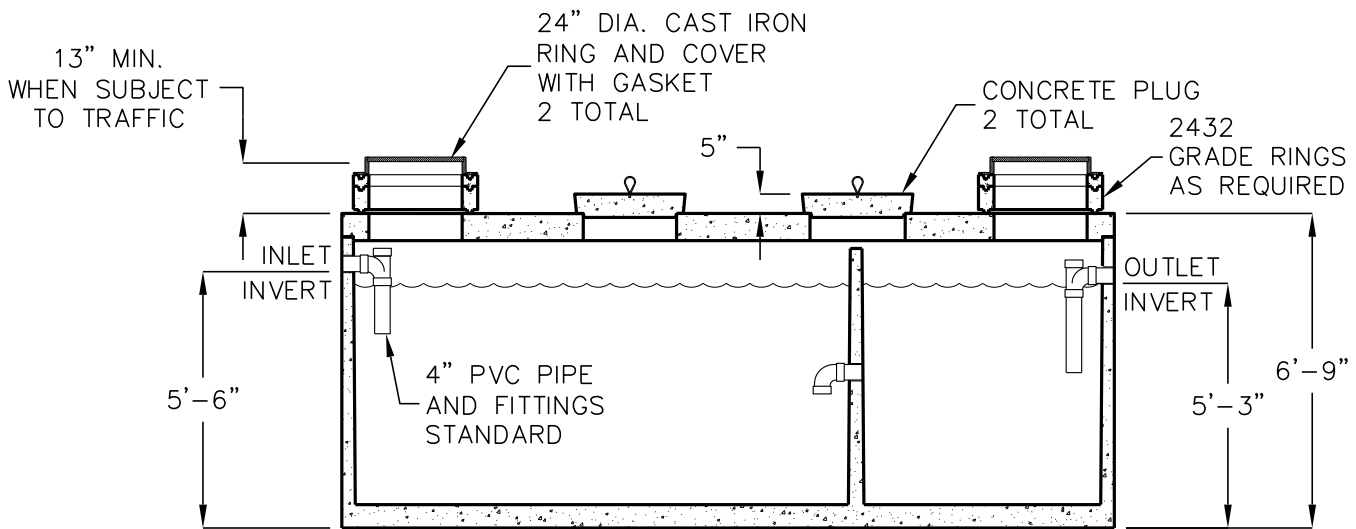


4000 GALLON COMMERCIAL SEPTIC TANK

MODEL JZ4000-EE-ST
TRAFFIC RATED
LISTED BY UPC®



PLAN VIEW (COVERS NOT SHOWN)



ELEVATION SECTION

OPERATING CAPACITY: 4000 GALLONS.

DESIGN LOAD: H-20 TRAFFIC WITH DRY SOIL CONDITIONS (WATER LEVEL BELOW TANK) AND 13 INCHES TO 5 FEET EARTH COVER.

SUITABLE SUB-BASE BEDDED WITH GRANULAR MATERIAL SHALL BE PREPARED TO HANDLE ANTICIPATED LOADS.

FOR COMPLETE DESIGN AND PRODUCT INFORMATION CONTACT JENSEN PRECAST.

| |
|-------------------------------------------------------|
| MINIMUM EXCAVATION 8'-8" x 17'-7" x REQ'D DEPTH |
|-------------------------------------------------------|

Jensen Precast reserves the right to make changes to product design and/or dimensions without notice. Please contact Jensen Precast whenever necessary for confirmation or advice on product design.

JENSEN
PRECAST