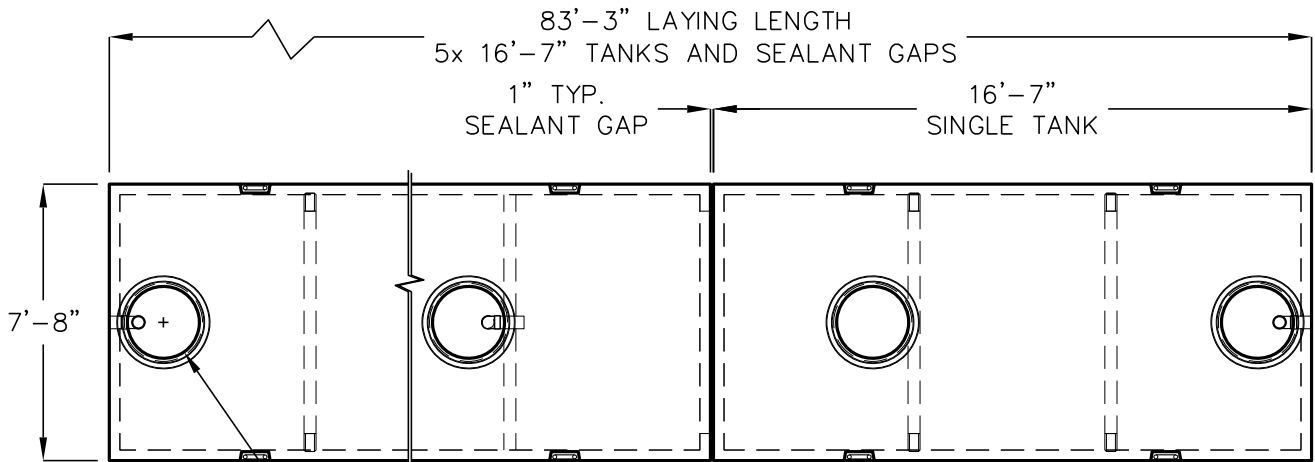


# 15,000 GALLON LOW PROFILE BATTERY SEPTIC TANK

MODEL 5xJP3000-ST

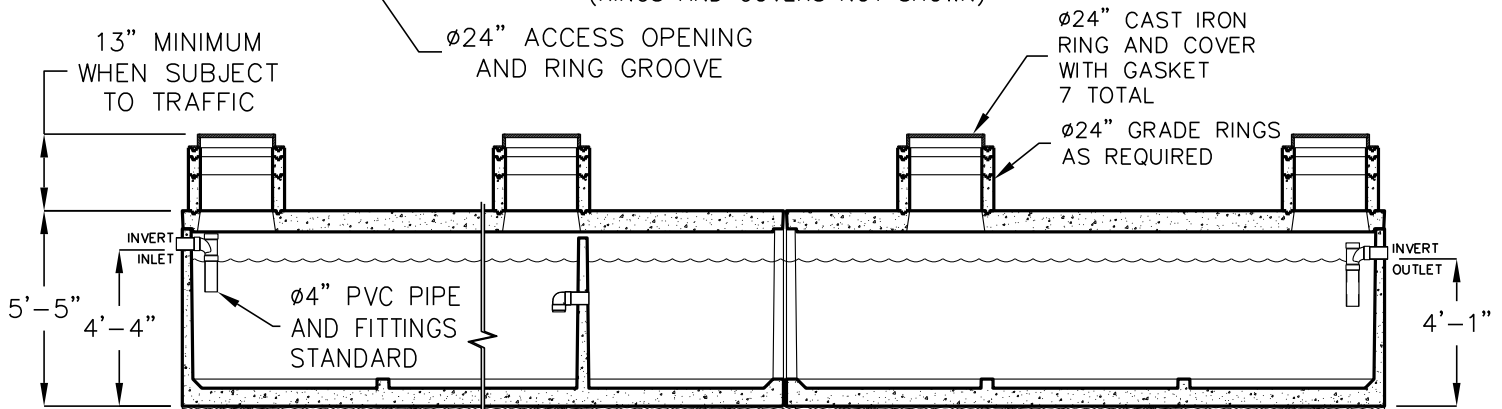


(ACCESS REFERENCE)



PLAN VIEW

(RINGS AND COVERS NOT SHOWN)



ELEVATION SECTION

OPERATING CAPACITY: 15,000 GALLONS

DESIGN LOAD: H-20 TRAFFIC WITH DRY SOIL CONDITIONS (WATER LEVEL BELOW TANK) AND 13 INCHES TO 5 FEET EARTH COVER.

BEDDING NOTE: SUITABLE SUB-BASE BEDDED WITH GRANULAR MATERIAL SHALL BE PREPARED TO HANDLE ANTICIPATED LOADS.

FOR COMPLETE DESIGN AND PRODUCT INFORMATION CONTACT JENSEN PRECAST.

Jensen Precast reserves the right to make changes to product design and/or dimensions without notice. Please contact Jensen Precast whenever necessary for confirmation or advice on product design.

8/28/2019  
15000-ST\_5xJP3000.DWG  
©2019

**JENSEN**  
PRECAST  EST. 1968