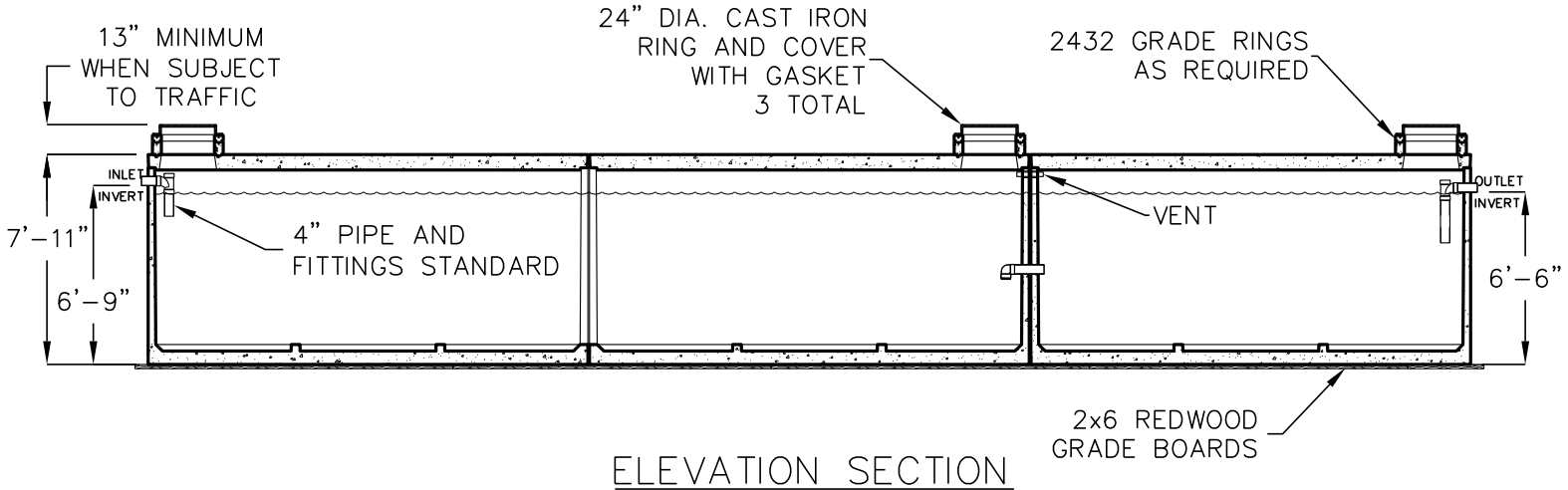
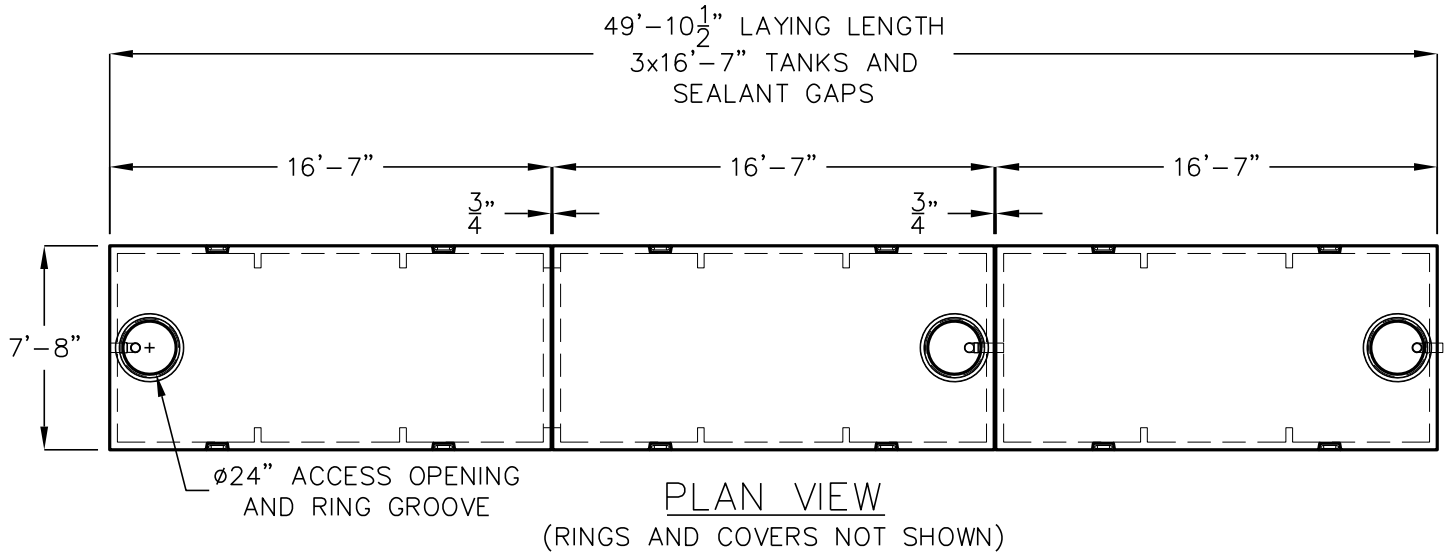


15,000 GALLON BATTERY SEPTIC TANK

MODEL 3xJZ5000-ST



OPERATING CAPACITY: 15,000 GALLONS.

DESIGN LOAD: H-20 TRAFFIC WITH DRY SOIL CONDITIONS
(WATER LEVEL BELOW TANK) AND 13 INCHES TO TO 4 FEET OF SOIL COVER.

SUITABLE SUB-BASE BEDDED WITH GRANULAR MATERIAL SHALL BE PREPARED TO
HANDLE ANTICIPATED LOADS.

FOR COMPLETE DESIGN AND PRODUCT INFORMATION CONTACT JENSEN PRECAST.

Jensen Precast reserves the right to make changes to product design and/or dimensions without notice.
Please contact Jensen Precast whenever necessary for confirmation or advice on product design.

8/28/2019
15000-ST_3xJZ5000.DWG
©2019

JENSEN
PRECAST  EST. 1968