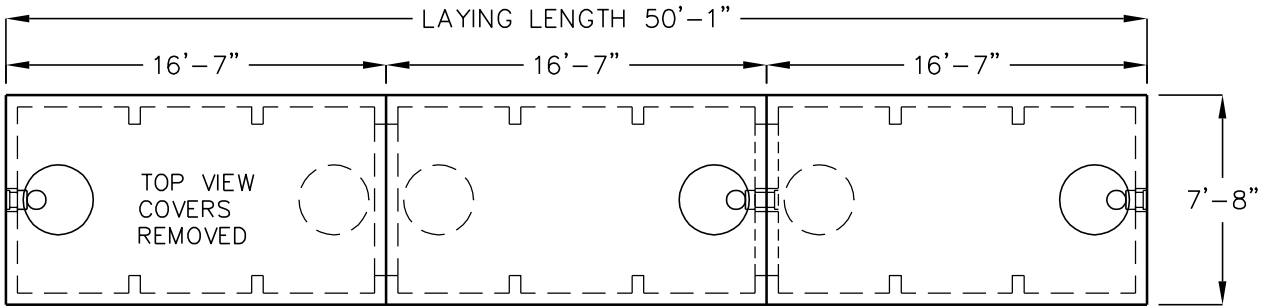
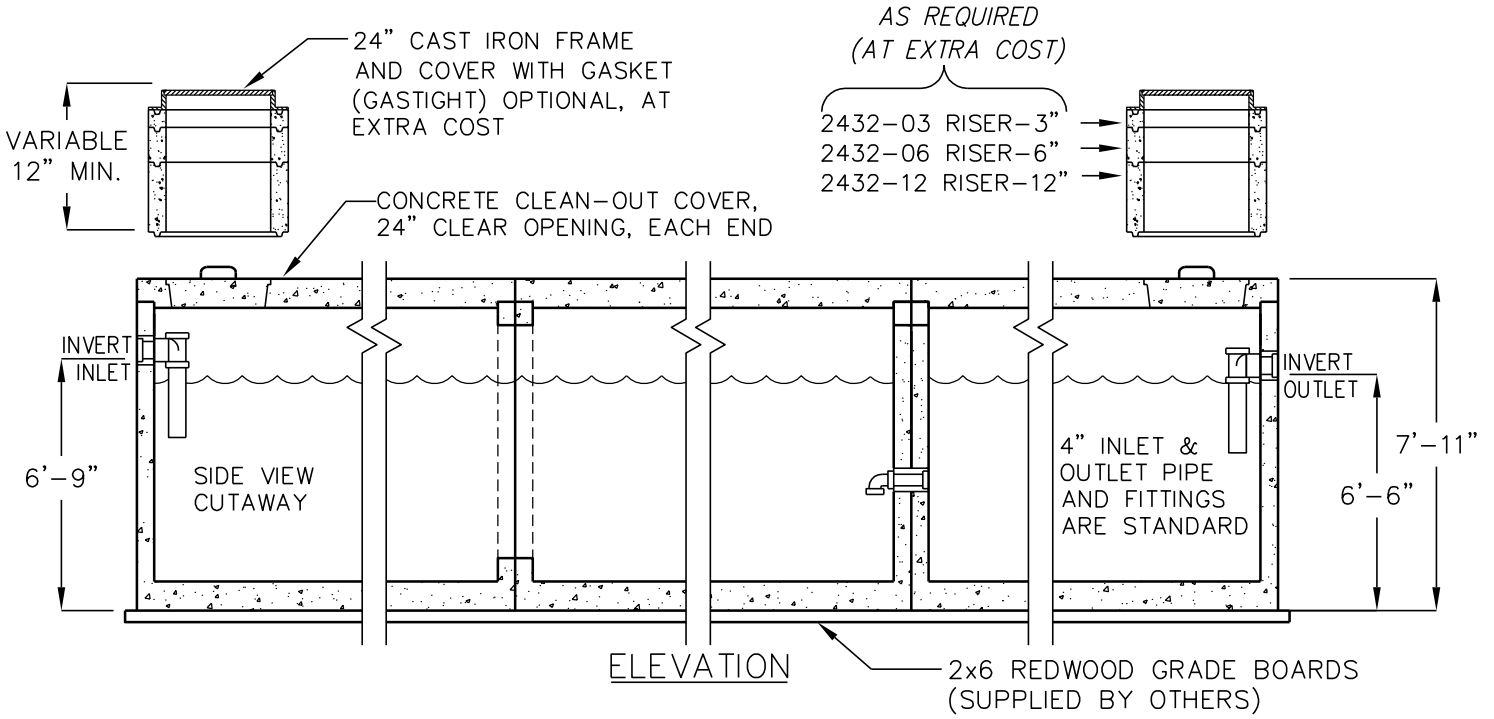


15,000 GALLON BATTERY SEPTIC TANK

MODEL 3XJZ5000



- = RECOMMENDED RISER/CAST IRON COVER LOCATIONS
- = OPTIONAL RISER/CAST IRON COVER LOCATIONS

LIQUID CAPACITY: 15,000 GALLONS.

BOX DESIGN LOAD: H-20 TRAFFIC FROM 1' TO 4' OF SOIL COVER.

FOR INSTALLATION INSTRUCTIONS, DESIGN AND PRODUCT INFORMATION, CONTACT JENSEN PRECAST.