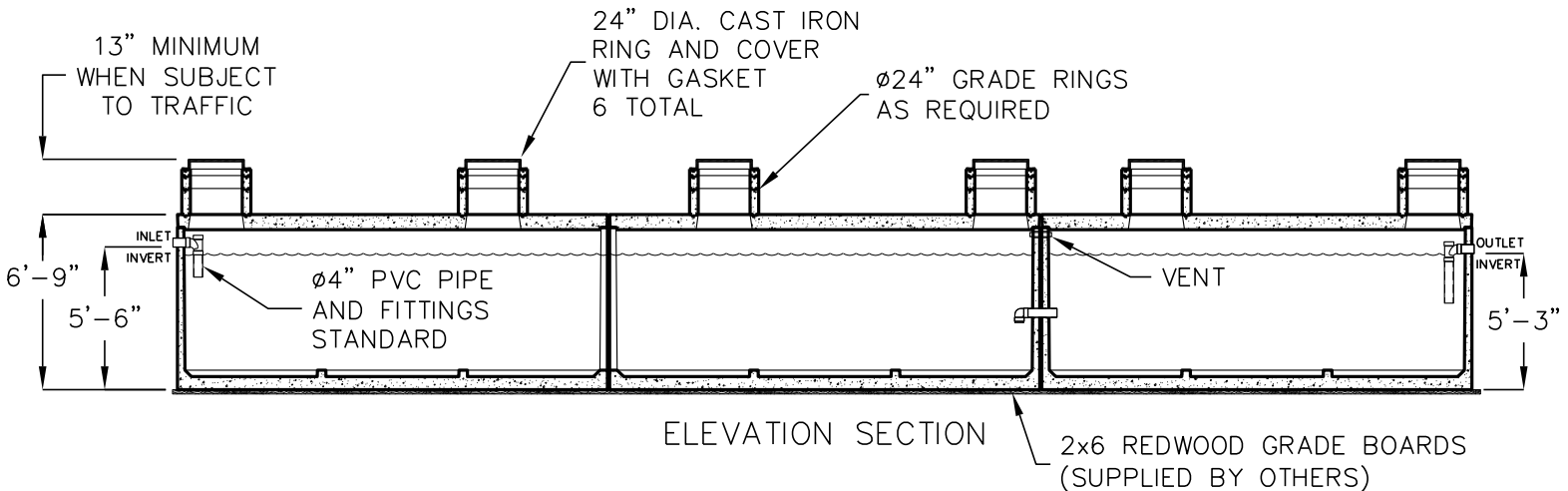
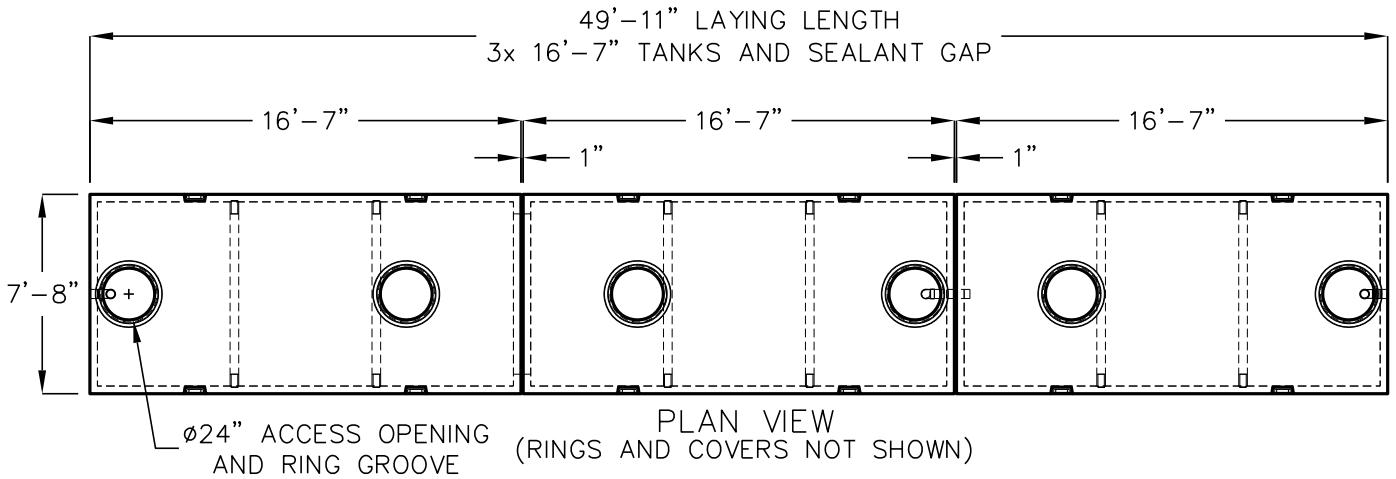


12,000 GALLON BATTERY SEPTIC TANK MODEL 3XJZ4000-ST



OPERATING CAPACITY: 12,000 GALLONS

DESIGN LOAD: H-20 TRAFFIC WITH DRY SOIL CONDITIONS (WATER LEVEL BELOW TANK) AND 13 INCHES TO 5 FEET EARTH COVER.

BEDDING NOTE: SUITABLE SUB-BASE BEDDED WITH GRANULAR MATERIAL SHALL BE PREPARED TO HANDLE ANTICIPATED LOADS.

FOR COMPLETE DESIGN AND PRODUCT INFORMATION CONTACT JENSEN PRECAST.

C Jensen Precast reserves the right to make changes to product design and/or dimensions without notice. Please contact Jensen Precast whenever necessary for confirmation or advice on product design.

8/28/2019
12000-ST_3XJZ4000.DWG
©2019

JENSEN
PRECAST  EST. 1968