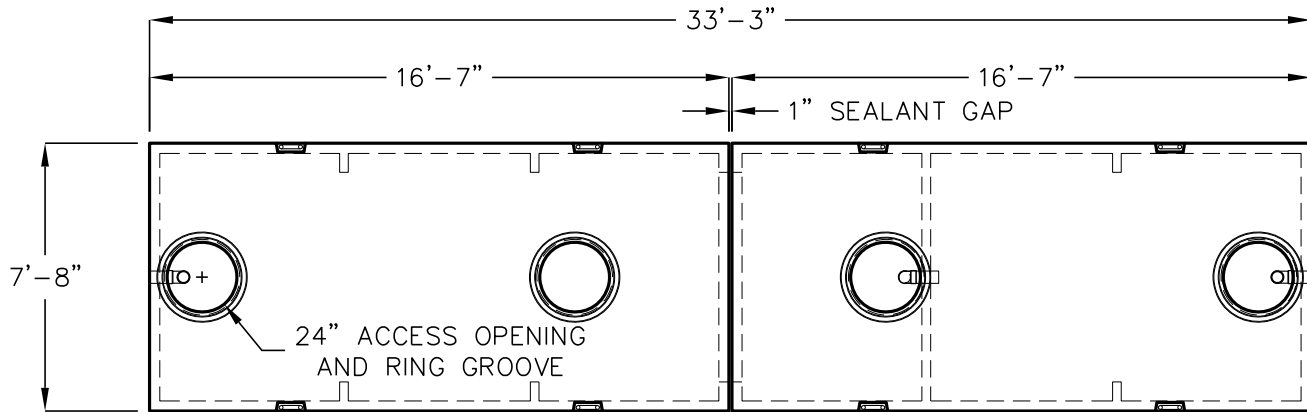
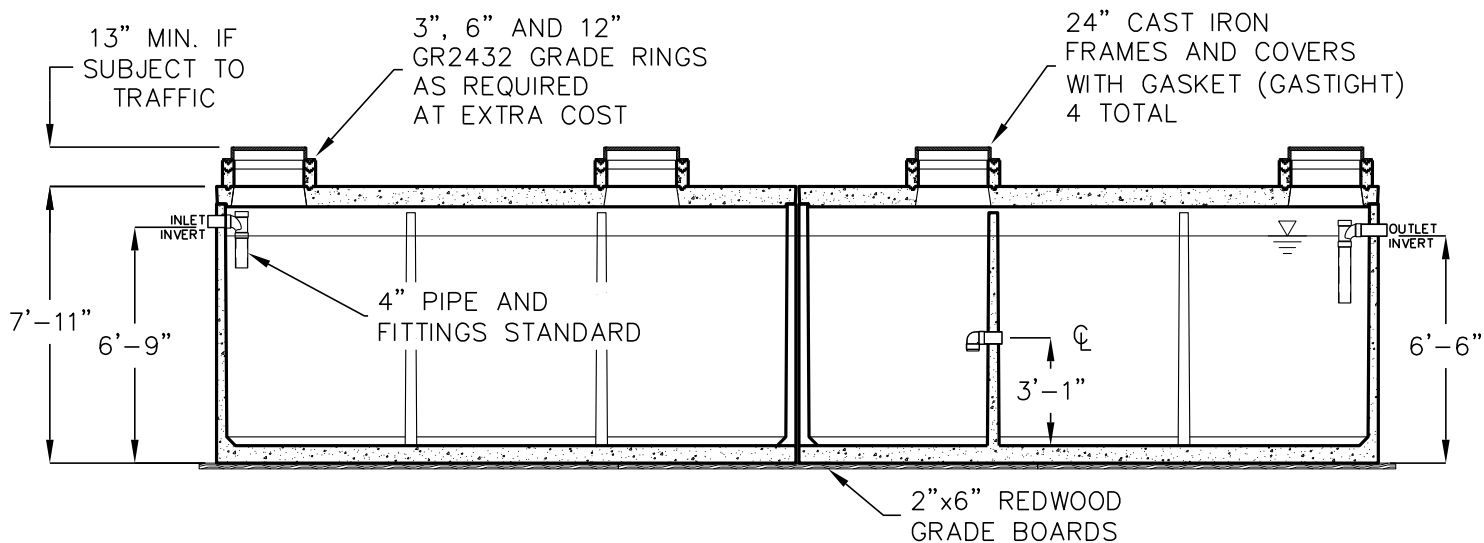


# 10,000 GALLON BATTERY SEPTIC TANK

MODEL 2xJZ5000-ST



PLAN VIEW  
(RINGS AND COVERS NOT SHOWN)



ELEVATION SECTION

OPERATING CAPACITY: 10,000 GALLONS.

DESIGN LOAD: H-20 TRAFFIC WITH DRY SOIL CONDITIONS  
(WATER LEVEL BELOW TANK) AND 13 INCHES TO 4 FEET OF SOIL COVER.

SUITABLE SUB-BASE BEDDED WITH GRANULAR MATERIAL SHALL BE PREPARED TO HANDLE ANTICIPATED LOADS.

FOR COMPLETE DESIGN AND PRODUCT INFORMATION CONTACT JENSEN PRECAST.

<p>MINIMUM EXCAVATION 8'-8" x 34'-3" x REQ'D DEPTH</p>
--

Jensen Precast reserves the right to make changes to product design and/or dimensions without notice. Please contact Jensen Precast whenever necessary for confirmation or advice on product design.

8/28/2019  
10000-ST\_2xJZ5000.DWG  
©2019

**JENSEN**  
PRECAST  EST. 1968