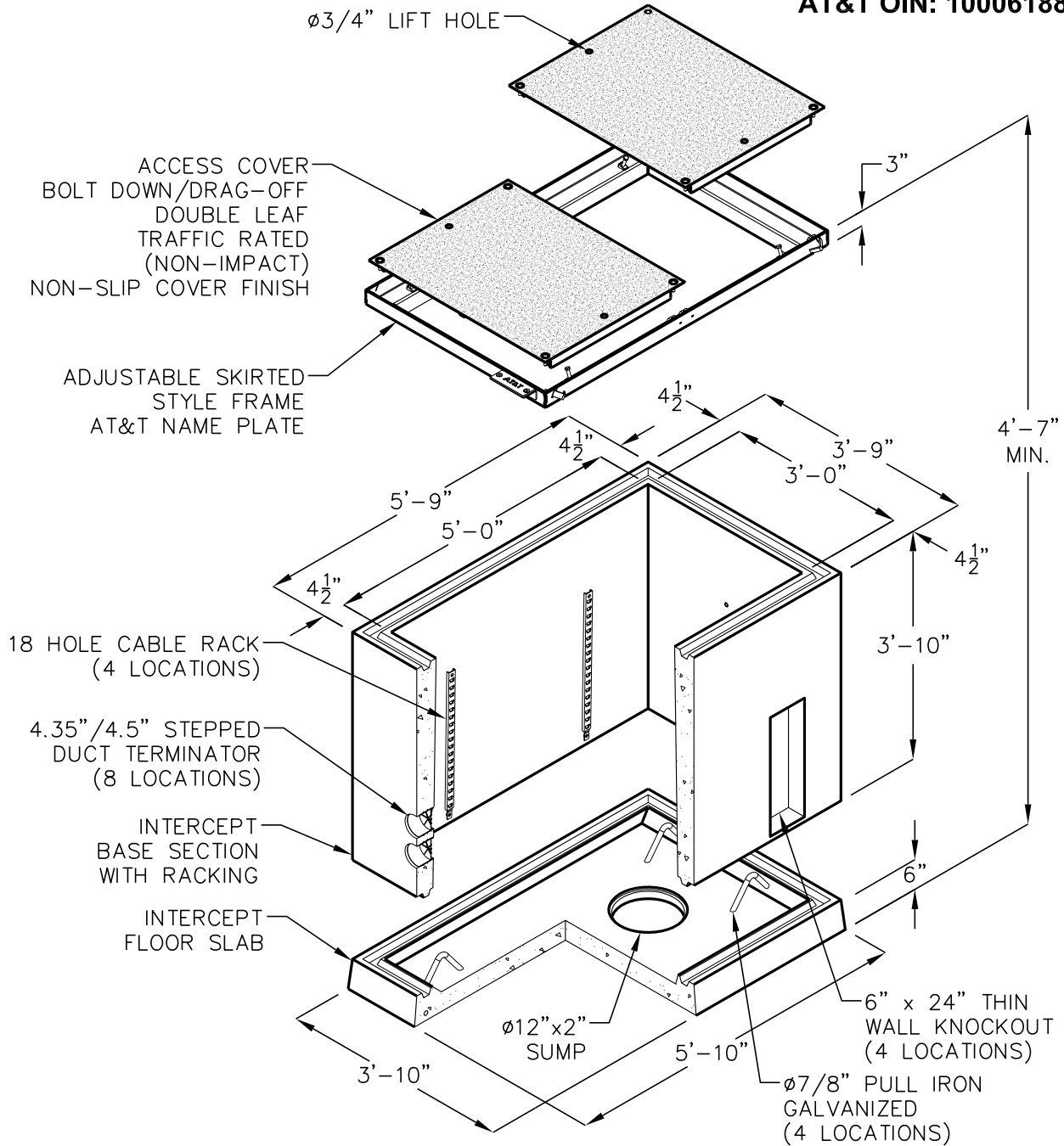




at&t Northern California
Nevada

3'-0" x 5'-0" x 4'-0" AT&T SUB-SURFACE INTERCEPT ENCLOSURE

TRAFFIC RATED DRAG OFF COVER
AT&T OIN: 100061881



MATERIAL LIST	
DESCRIPTION	WEIGHT (LBS)
3'-0" x 5'-0" x 6" INTERCEPT FLOOR	1,228
3'-0" x 5'-0" x 3'-10" INTERCEPT WITH RACKING - AT&T	3,296
BOLT DOWN/DRAG OFF NON-SLIP STEEL COVER - TRAFFIC RATED	450

JENSEN
PRECAST EST. 1968

Jensen Precast reserves the right to make changes to product design and/or dimensions without notice. Please contact Jensen Precast whenever necessary for confirmation or advice on product design.