

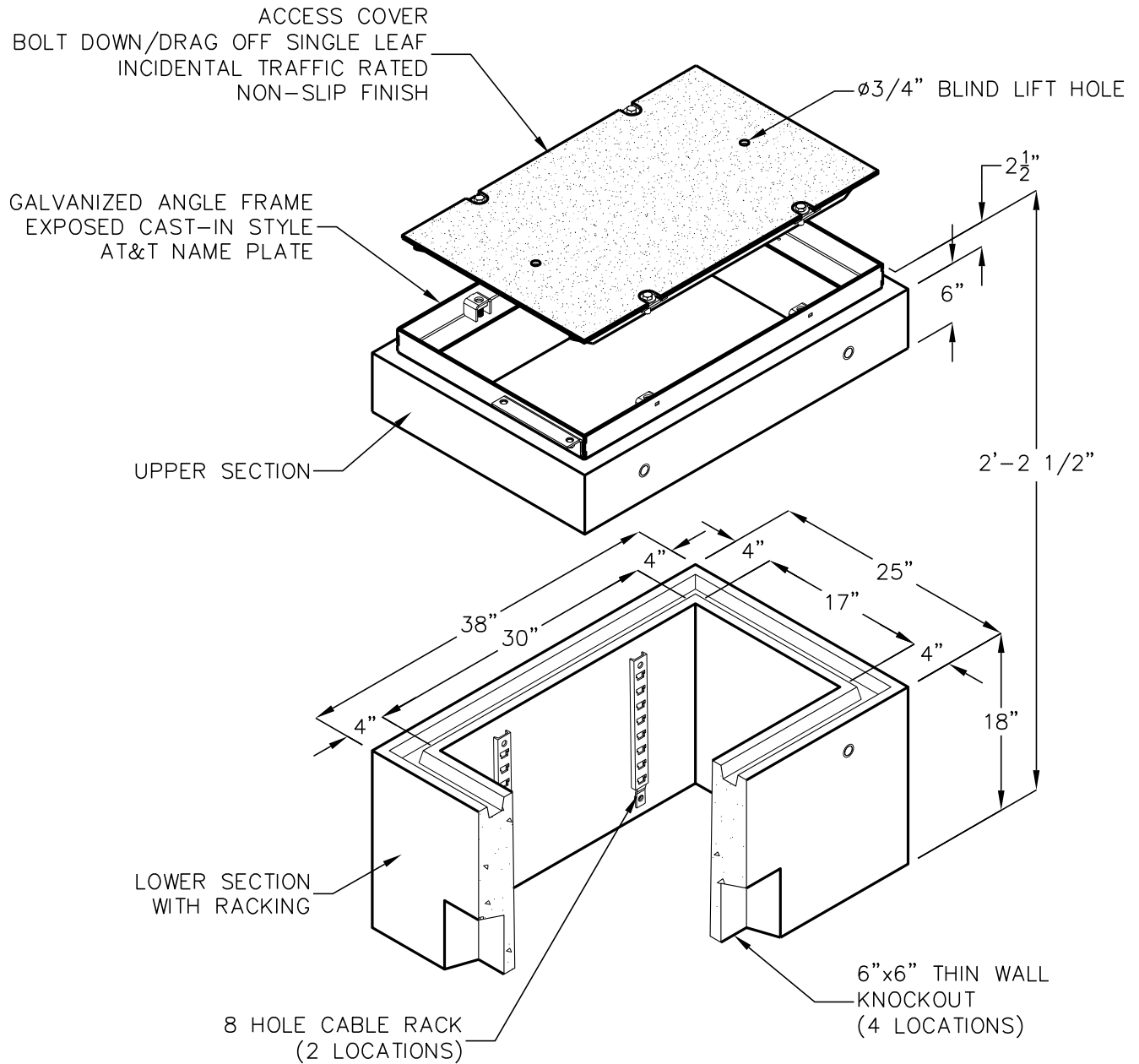


at&t Northern California
Nevada

17"x30"x24"

AT&T SPLICE BOX

TRAFFIC RATED DRAG OFF COVER
AT&T OIN: 100070129



MATERIAL LIST	
DESCRIPTION	WEIGHT (LBS)
17"x30"x18" LOWER SECTION - AT&T	642
17"x30"x6" UPPER SECTION	279
BOLT DOWN/DRAG OFF ALL GRIP STEEL COVER- AT&T	83

JENSEN
PRECAST EST. 1968

Jensen Precast reserves the right to make changes to product design and/or dimensions without notice. Please contact Jensen Precast whenever necessary for confirmation or advice on product design.