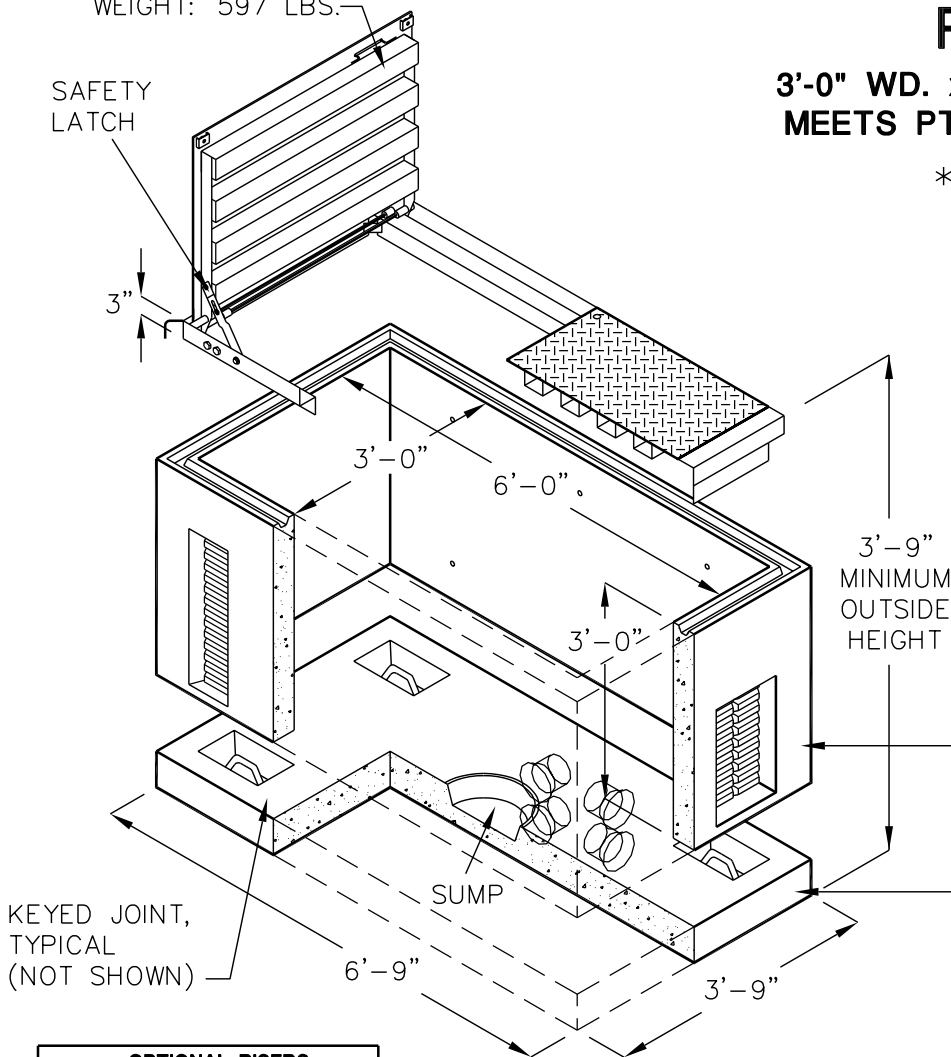


*3672AT-TRF TORSION SPRING ASSISTED COVER. WEIGHT: 597 LBS.

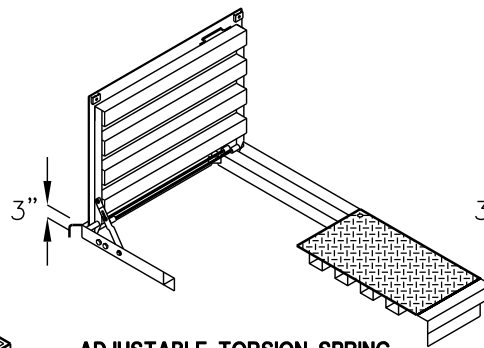
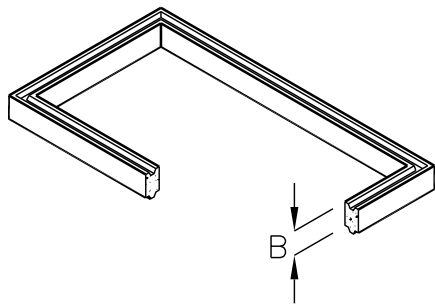
36TA-I INTERCEPT PULLBOX

3'-0" WD. x 6'-0" LG. x 3'-0" H. I.D.
MEETS PTS3672 SPECIFICATIONS

*NOTE:
DESIGNED TO WITHSTAND H-20 WHEEL LOADINGS. SUITABLE FOR USE IN OFF-STREET LOCATIONS WHERE NOT SUBJECTED TO HIGH DENSITY TRAFFIC.

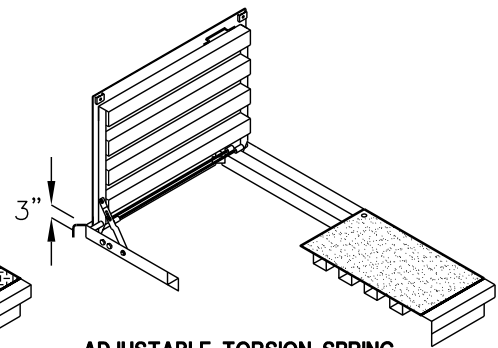


OPTIONAL RISERS (EXTENSIONS)		
MODEL NO.	B	WEIGHT
36-R6	6"	526 LBS.
36-R12	12"	1050 LBS.



ADJUSTABLE TORSION SPRING ASSISTED COVERS (DIAMOND PLATE SURFACE)

*3672AT-TRF, 597 LBS. (H-20 TRAFFIC)
OR
3672AT-PKY, 490 LBS. (NON TRAFFIC)



ADJUSTABLE TORSION SPRING ASSISTED COVERS (NON-SLIP SURFACE)

*3672AT-TRF-AG, 588 LBS. (H-20 TRAFFIC)
OR
3672AT-PKY-AG, 481 LBS. (NON TRAFFIC)

FOR COMPLETE DESIGN AND PRODUCT INFORMATION, CONTACT JENSEN PRECAST.