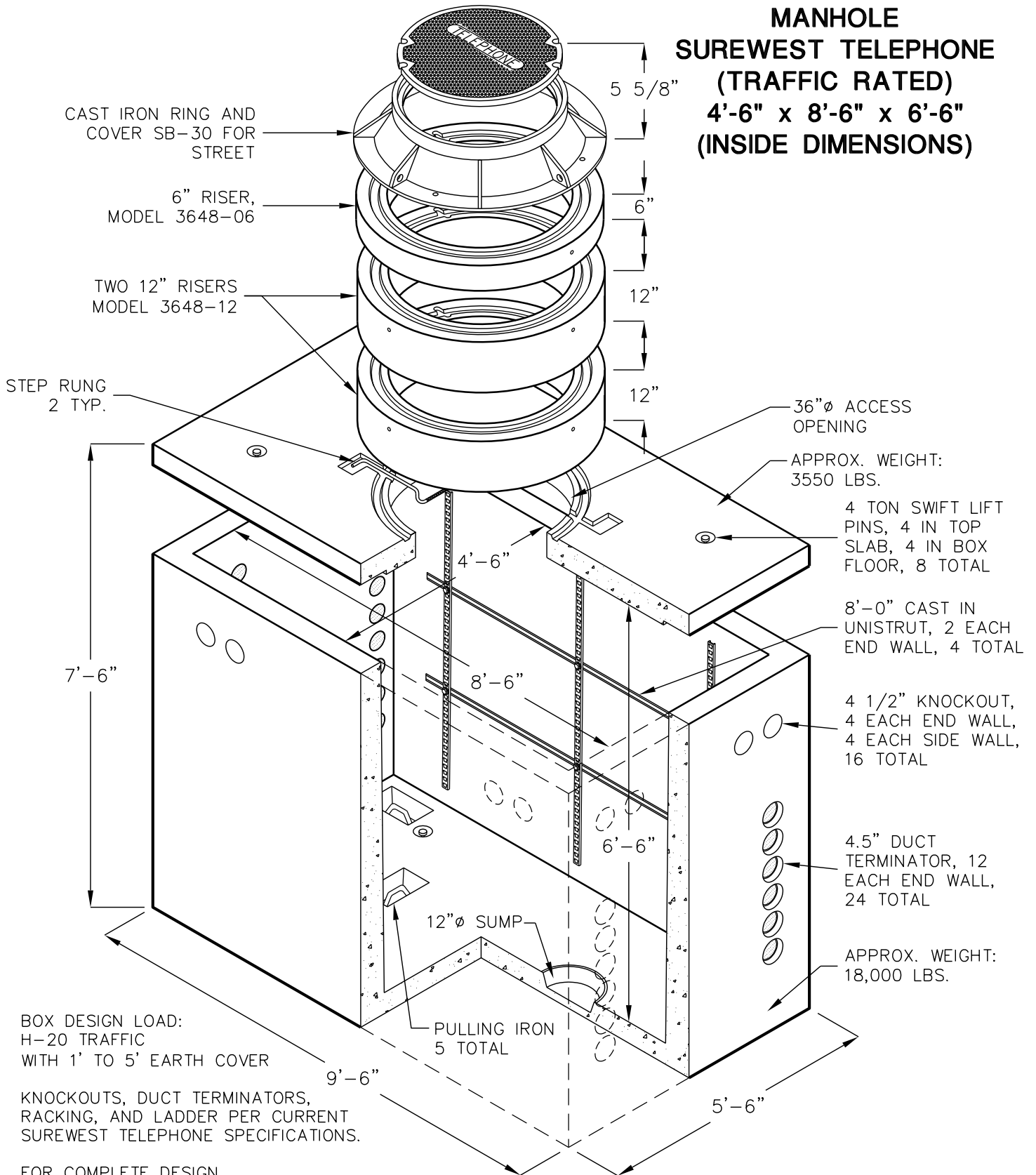


PTS65-TST MANHOLE SUREWEST TELEPHONE (TRAFFIC RATED) 4'-6" x 8'-6" x 6'-6" (INSIDE DIMENSIONS)



BOX DESIGN LOAD:
H-20 TRAFFIC
WITH 1' TO 5' EARTH COVER

KNOCKOUTS, DUCT TERMINATORS,
RACKING, AND LADDER PER CURRENT
SUREWEST TELEPHONE SPECIFICATIONS.

FOR COMPLETE DESIGN
AND PRODUCT INFORMATION,
CONTACT JENSEN PRECAST.