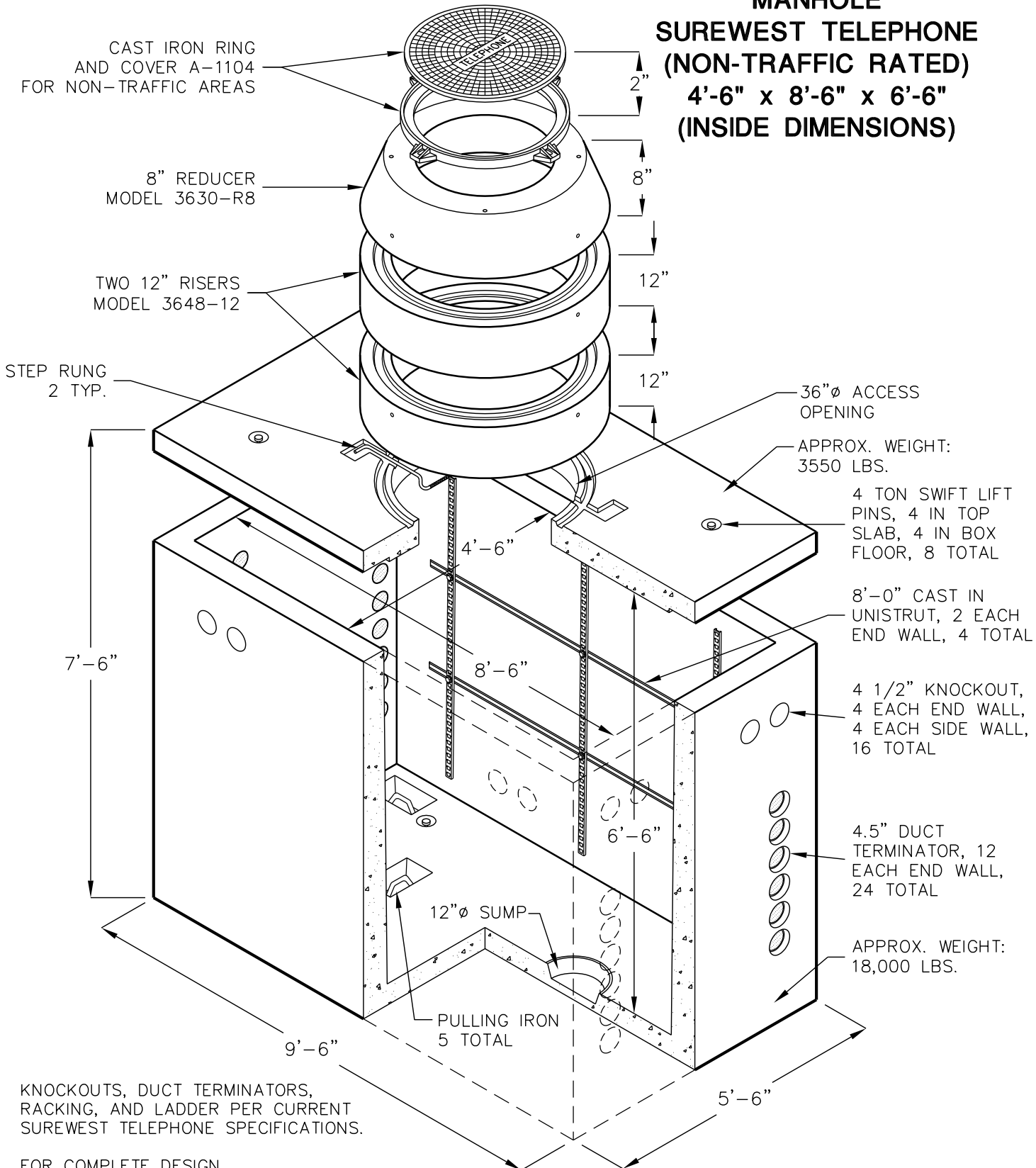


# PTS65-PST

## MANHOLE

**SUREWEST TELEPHONE  
(NON-TRAFFIC RATED)  
4'-6" x 8'-6" x 6'-6"  
(INSIDE DIMENSIONS)**



KNOCKOUTS, DUCT TERMINATORS, RACKING, AND LADDER PER CURRENT SUREWEST TELEPHONE SPECIFICATIONS.

FOR COMPLETE DESIGN AND PRODUCT INFORMATION, CONTACT JENSEN PRECAST.

