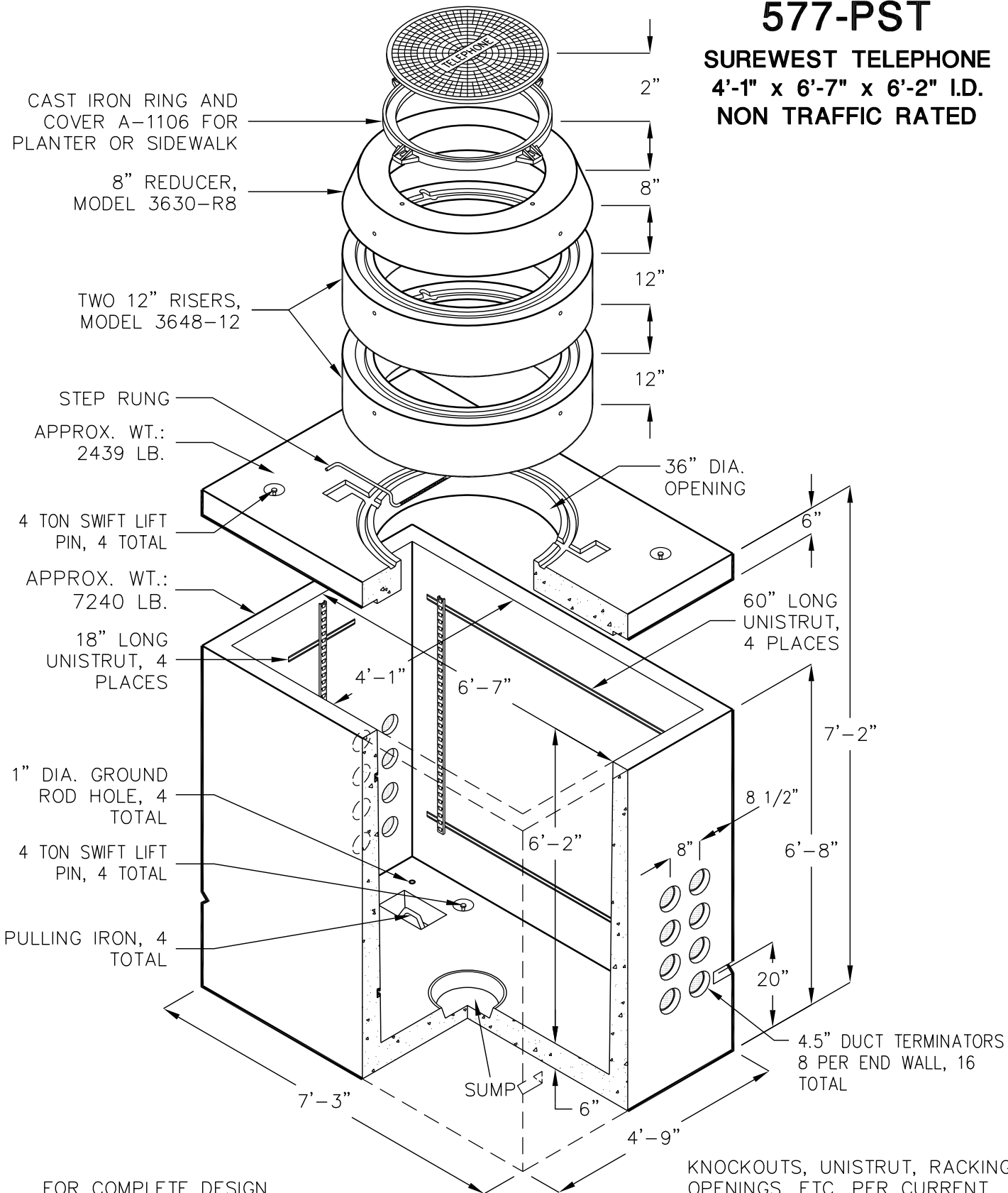


# 577-PST

**SUREWEST TELEPHONE**  
**4'-1" x 6'-7" x 6'-2" I.D.**  
**NON TRAFFIC RATED**



FOR COMPLETE DESIGN AND PRODUCT INFORMATION, CONTACT JENSEN PRECAST.

KNOCKOUTS, UNISTRUT, RACKING, OPENINGS, ETC. PER CURRENT SUREWEST TELEPHONE SPECIFICATIONS.